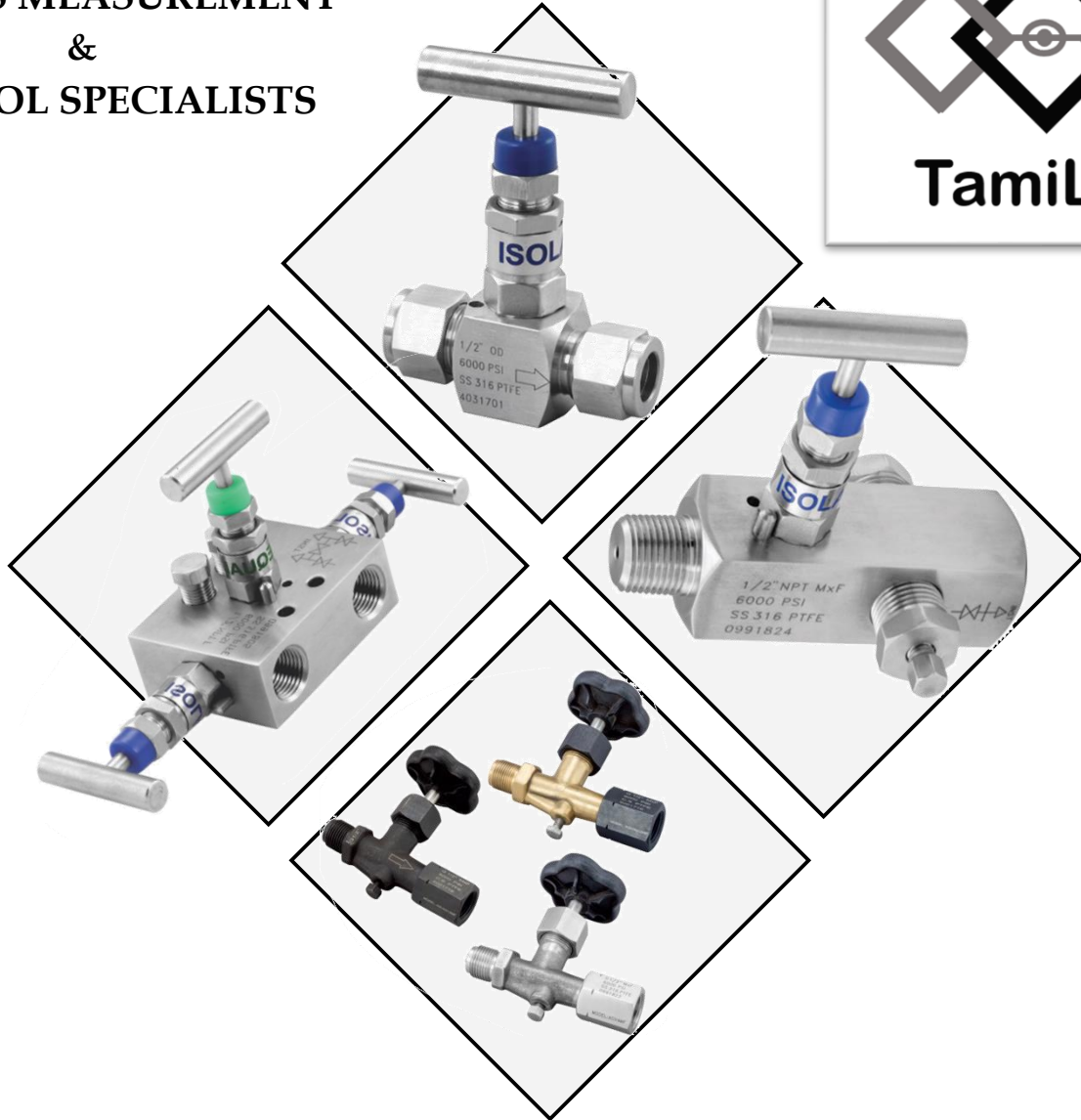


**PROCESS MEASUREMENT  
&  
CONTROL SPECIALISTS**



# TamiLok

**Instrumentation Valves,  
Fittings and  
Accessories**



**PALM TREE ENGINEERING PRODUCTS PRIVATE LIMITED**

Plot no 110, SIDCO Industrial Estate, Vallioor, Tirunelveli, Tamilnadu, India. 627117

[contact@palmtreeind.com](mailto:contact@palmtreeind.com)

[www.palmtreeind.com](http://www.palmtreeind.com)

# Needle Valves Selection Chart

**T**   **NV**   **1**   **FF**   **N**   **12**   **SS**   **T**   **OPTION**

T = Tamielok

NV = Needle Valve

1 = 6000 psi, Double Bonnet Assembly

2 = 6000 psi, Single Bonnet Assembly

3 = Angle Valve

4 = 10,000 psi

FF = Female X Female

MF = Male X Female

MM = Male X Male

CF = Compression Fitting (tube ends)

SW = Socket Weld

BW = Butt Weld

N = NPT

G = BSPP

GT = BSPT

M = Metric

Blank = for CF / SW / BW end

18 = 1/8"

14 = 1/4"

38 = 3/8"

12 = 1/2"

34 = 3/4"

01 = 1"

06M = 6 mm OD tube end

08M = 8 mm OD tube end

10M = 10 mm OD tube end

12M = 12 mm OD tube end

SS = SS 316

SSL = SS 316L

SSD = SS 316/316L Dual

SS4 = SS 304

MO = Monel 400

HC = Hastelloy C 276

DU = Duplex SS

SD = Super Duplex

IN6 = Inconel-625

IN8 = Inconel-825

CS = Carbon Steel

BR = Brass

T = PTFE Packing

G = Graphite Packing

NA = NACE MR 01-75

(Latest Edition)

OXY = Cleaned for  
Oxygen service

RK = Round Knurled  
Metal Handle

PM = Panel Mounting

FS = Fire Safe

AT = Anti Temper

LH = Lockable handle



# Needle Valves

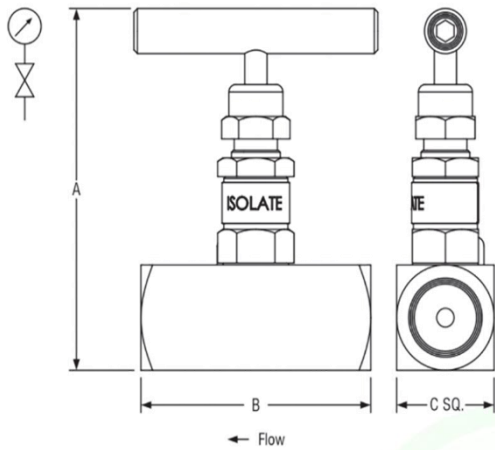


These needle valves are an ideal option for isolating or throttling applications. The self centering, non rotating stem ensures perfect seating. The rigid design gives repetitive bubble tight shut off, easy maintenance & long trouble free life.

## Standard Specifications:

Maximum working Pressure: 413 bar at 38°C (6000 psi at 100°F) (see pressure and Temperature chart for higher temperature applications). MOC accordance with NACE MR0175 is available on request

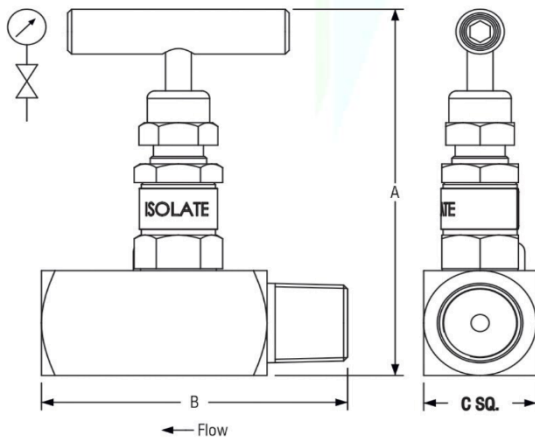
## TNV 1 FF



SIZE	A	B	CSQ	WEIGHT(KG)
1/4"	93	55	25	0.36
3/8"	93	55	25	0.37
1/2"	95	66	28	0.46
3/4"	109	70	38	0.8
1"	117	80	45	1.3



## TNV 1 MF

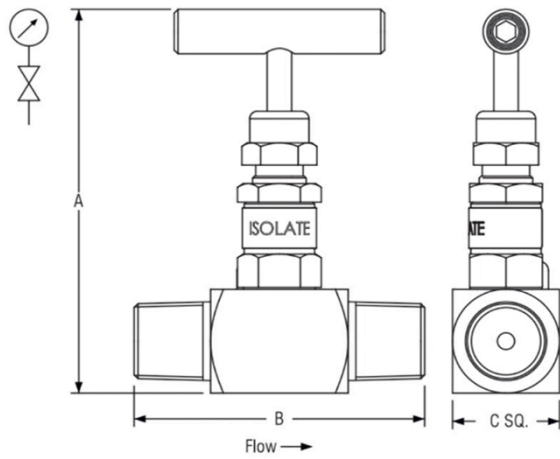


SIZE	A	B	CSQ	WEIGHT(KG)
1/4"	93	65	25	0.45
3/8"	93	65	25	0.45
1/2"	95	76	28	0.56
3/4"	109	80	38	0.9
1"	117	95	45	1.4



# Needle Valves

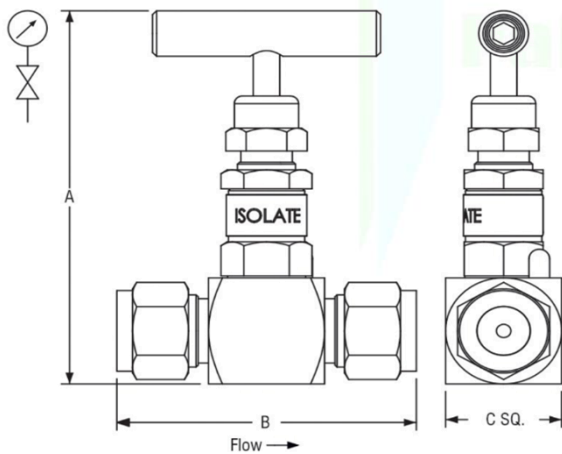
## TNV 1 MM



SIZE	A	B	CSQ	WEIGHT(KG)
1/4"	93	65	25	0.4
3/8"	93	65	25	0.4
1/2"	95	76	28	0.5
3/4"	109	80	38	0.8
1"	117	95	45	1.3



## TNV 1 CF



SIZE	A	B	CSQ	WEIGHT(KG)
1/4"	93	70	25	0.3
3/8"	93	72	25	0.32
1/2"	95	76	28	0.4
6mm	93	70	25	0.3
10mm	93	72	25	0.4
12mm	95	76	28	0.4



# Needle Valves

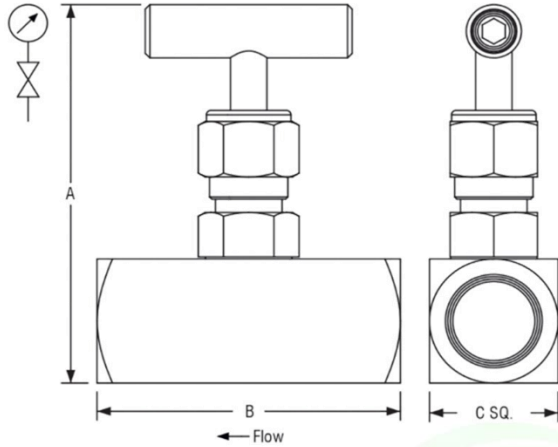


These valves provide economical & reliable option for isolation & throttling applications. The bonnet assembly has a compact design with one piece rotating stem which is V tipped for accurate flow control. Easy maintenance & long trouble free life.

## Standard Specifications:

Maximum working Pressure: 413 bar at 38°C (6000 psi at 100°F) (see pressure and Temperature chart for higher temperature applications). MOC accordance with NACE MR0175 is available on request

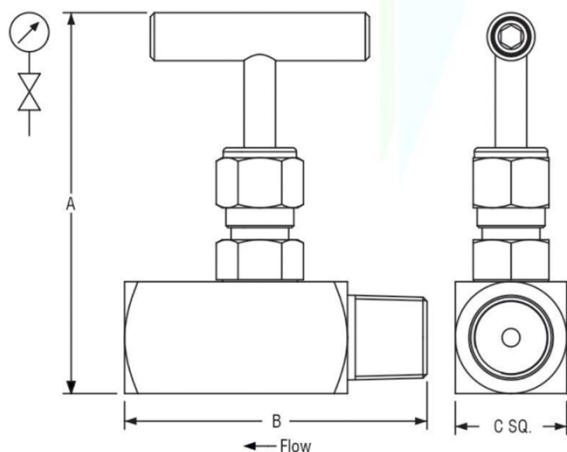
## TNV 2 FF



SIZE	A	B	CSQ	WEIGHT(KG)
1/4"	90	55	25	0.4
3/8"	90	55	25	0.4
1/2"	93	66	28	0.5
3/4"	100	70	38	0.8
1"	110	80	45	1.4



## TNV 2 MF

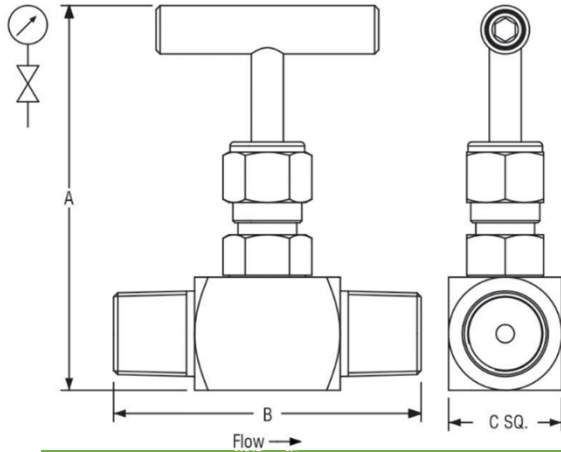


SIZE	A	B	CSQ	WEIGHT(KG)
1/4"	90	65	25	0.45
3/8"	90	65	25	0.45
1/2"	93	76	28	0.56
3/4"	100	80	38	0.9
1"	110	95	45	1.5

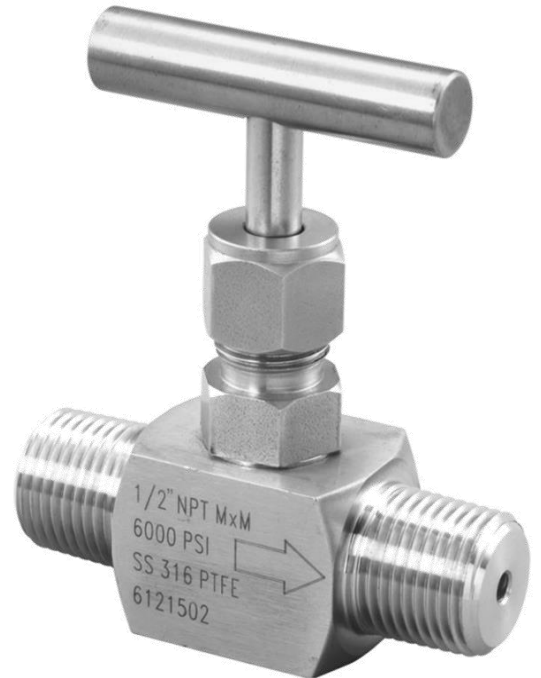


# Needle Valves

## TNV 2 MM



SIZE	A	B	CSQ	WEIGHT(KG)
1/4"	90	65	25	0.45
3/8"	90	65	25	0.45
1/2"	93	76	28	0.56
3/4"	100	80	38	0.9
1"	110	95	45	1.4

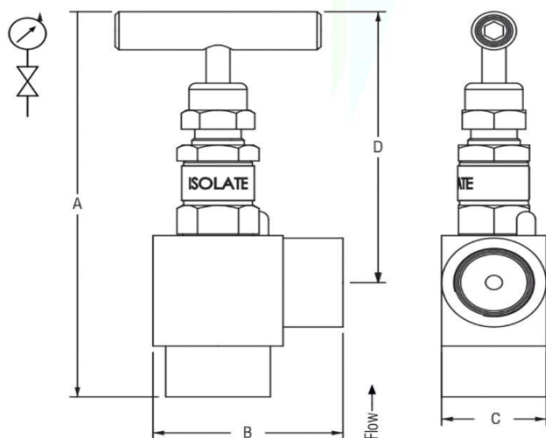


These valves provide angular end connections of 90° for specific application. The other design features for these applications are similar to type TNV1.

### Standard Specifications:

Maximum working Pressure: 413 bar at 380C (6000 psi at 1000F) (see pressure and Temperature chart for higher temperature applications). MOC accordance with NACE MR0175 is available on request. **Valves for 1000PSI working pressure also available.**

## TNV 3 FF

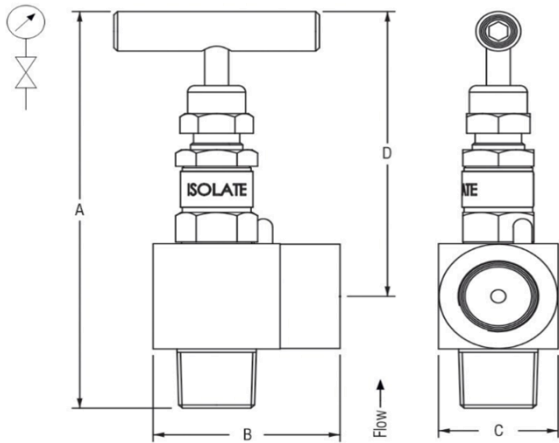


SIZE	A	B	C	D	WEIGHT(KG)
1/4"	101	38	25	76	0.45
3/8"	101	38	25	76	0.45
1/2"	115	50	28	76	0.57



# Needle Valves

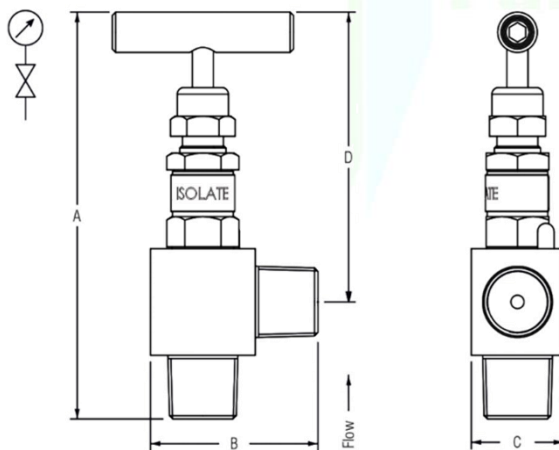
## TNV 3 MF



SIZE	A	B	C	D	WEIGHT(KG)
1/4"	101	38	25	76	0.45
3/8"	101	38	25	76	0.45
1/2"	115	50	28	76	0.57



## TNV 3 MF



SIZE	A	B	C	D	WEIGHT(KG)
1/4"	101	38	25	76	0.45
3/8"	101	38	25	76	0.45
1/2"	115	50	28	76	0.57



# Needle Valves

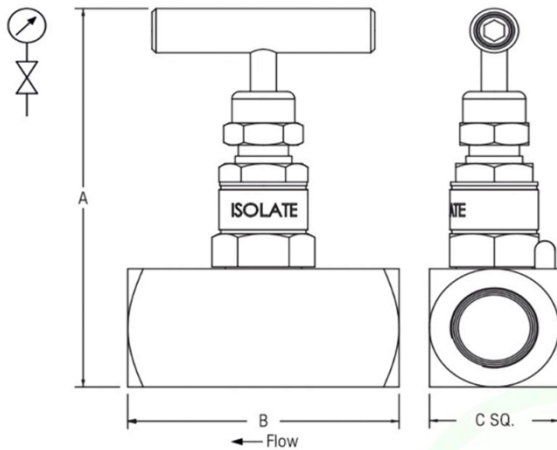


These valves are designed for high pressure. These valves are also used in high pressure testing equipments. The other design features for these applications are similar to type TNV1.

## Standard Specifications:

Maximum working Pressure: 690 bar at 38°C (10000 psi at 100°F) (see pressure and Temperature chart for higher temperature applications). MOC accordance with NACE MR0175 is available on request.

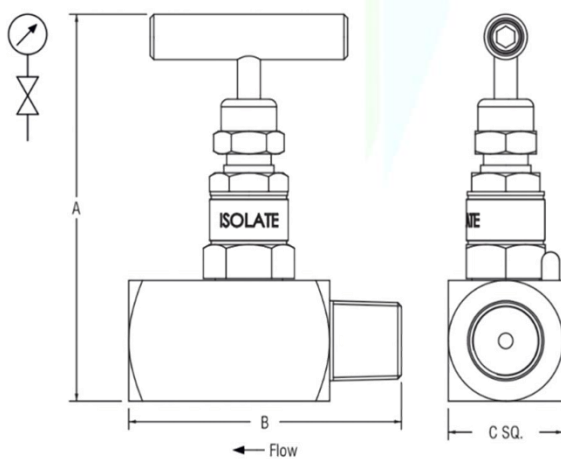
## TNV 4 FF



SIZE	A	B	CSQ	WEIGHT(KG)
1/4"	93	55	28	0.44
3/8"	93	65	28	0.44
1/2"	103	67	32	0.65
3/4"	109	70	38	0.8
1"	117	80	45	1.3



## TNV 4 MF



SIZE	A	B	CSQ	WEIGHT(KG)
1/4"	93	65	25	0.45
3/8"	93	65	25	0.45
1/2"	103	76	32	0.88
3/4"	109	80	38	0.9
1"	117	95	45	1.4

