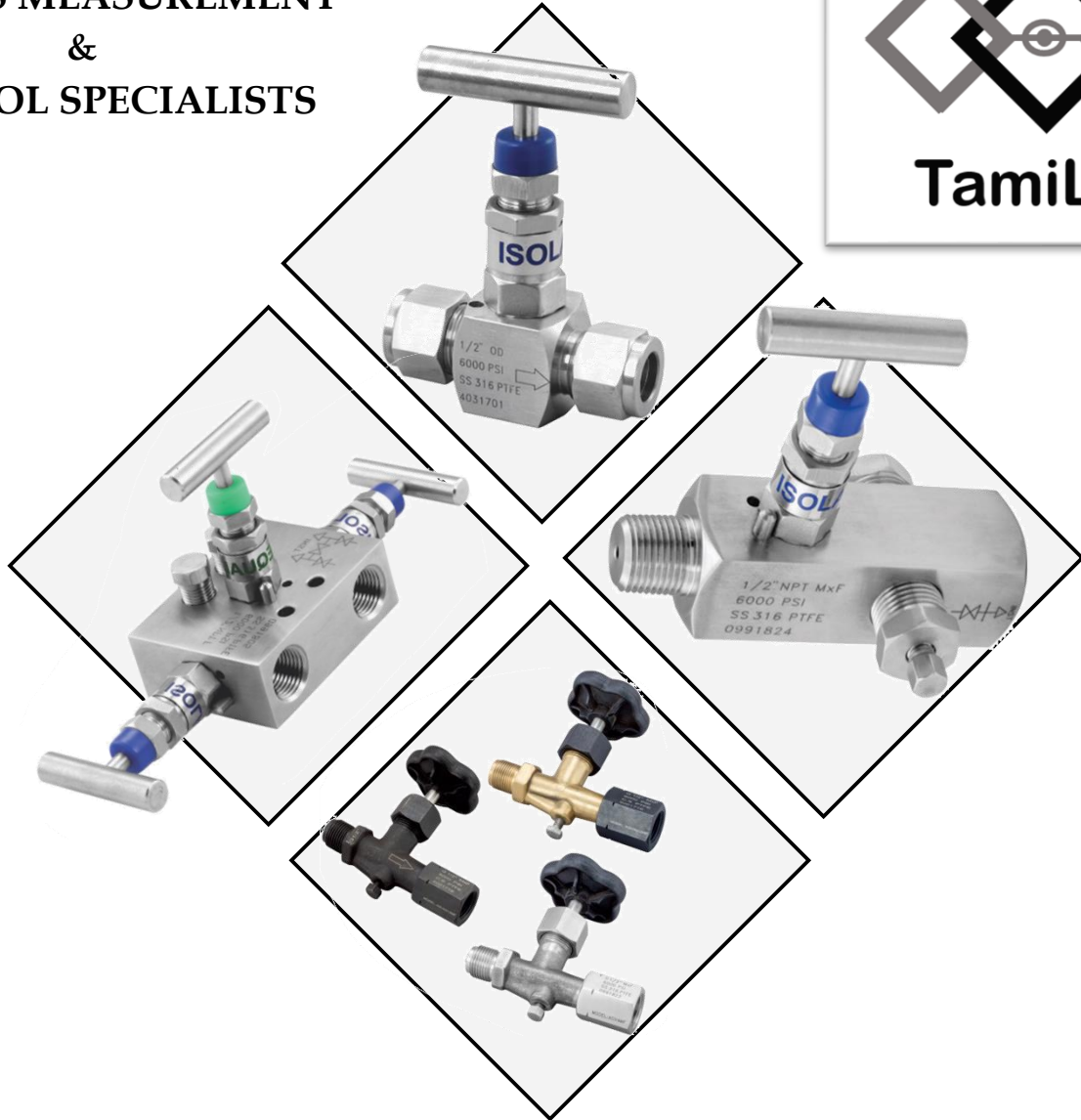


**PROCESS MEASUREMENT
&
CONTROL SPECIALISTS**



TamiLok

Instrumentation Valves,
Fittings and
Accessories



PALM TREE ENGINEERING PRODUCTS PRIVATE LIMITED

Plot no 110, SIDCO Industrial Estate, Vallioor, Tirunelveli, Tamilnadu, India. 627117

contact@palmtreeind.com

www.palmtreeind.com

3 & 5 Valve Manifold Selection Chart

T **3VM** **R** **N** **H** **SS** **T** **OPTION**

T = Tamilok

3VM = 3 Valve
5VM = 5 Valve

R = Remote Mounting
RV1 = 3 valve with front vent plug
RV2 = 3 valve with side vent plug
R1 = 5 valve with front vent plug
R2 = 5 valve with side vent plug
D1 = Direct Mounting model1
D2 = Direct Mounting model2
DT = Direct Mounting T type
DH = Direct Mounting H type

N = NPT
G = BSPP
GT = BSPT
M = Metric
Blank = for CF / SW / BW end

Blank = 6000psi
H = 10,000psi

SS = SS 316
SSL = SS 316L
SSD = SS 316/316L Dual
SS4 = SS 304
MO = Monel 400
HC = Hastelloy C 276
DU = Duplex SS
SD = Super Duplex
IN6 = Inconel-625
IN8 = Inconel-825
CS = Carbon Steel
BR = Brass

T = PTFE Packing
G = Graphite Packing

NA = NACE MR 01-75
(Latest Edition)
OXY = Cleaned for Oxygen
service
IECA = Instrument Flange
as per IEC 61518 Type-A
IECB = Instrument Flange
as per IEC 61518 Type-B
AT = Anti Temper
LH = Lockable handle

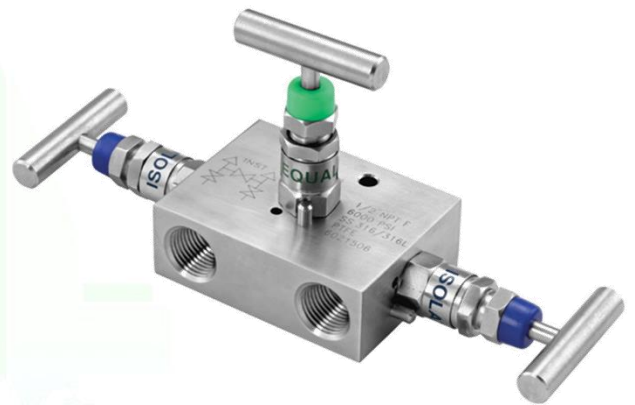
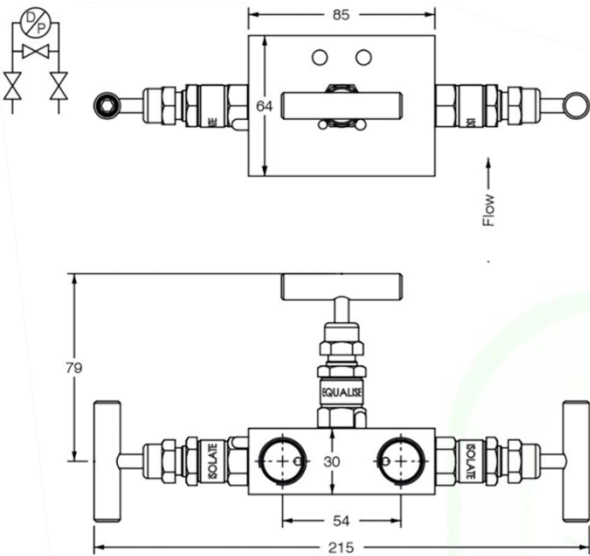
Manifold Valves

3 valve manifold – Remote Mounting These manifolds are generally used in differential pressure application with Pressure switches & pressure transmitter. Two isolation valves & one equalizing valve is provided. The standard connections are 1/4" NPTF. The drain connection of 1/2" NPT is provided as an option. Different models are available as shown below.

Standard Specifications:

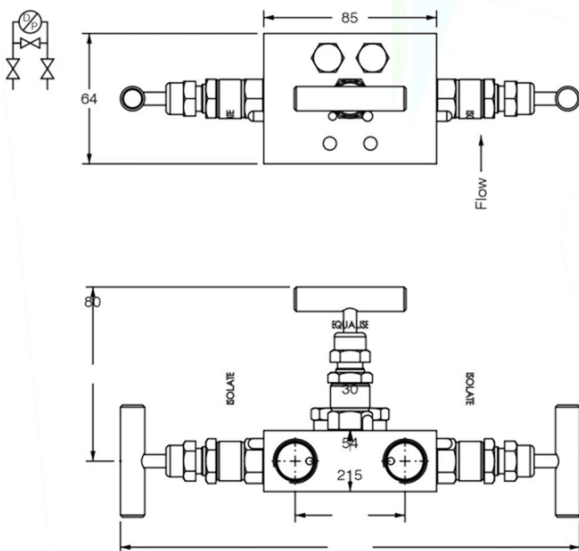
Maximum working Pressure: 413 bar at 38°C (6000 psi at 100°F) (see pressure and Temperature chart for higher temperature applications). MOC accordance with NACE MR0175 is available on request. **Valves for 1000PSI working pressure also available.**

T3VM R



WEIGHT(KG)
1.5

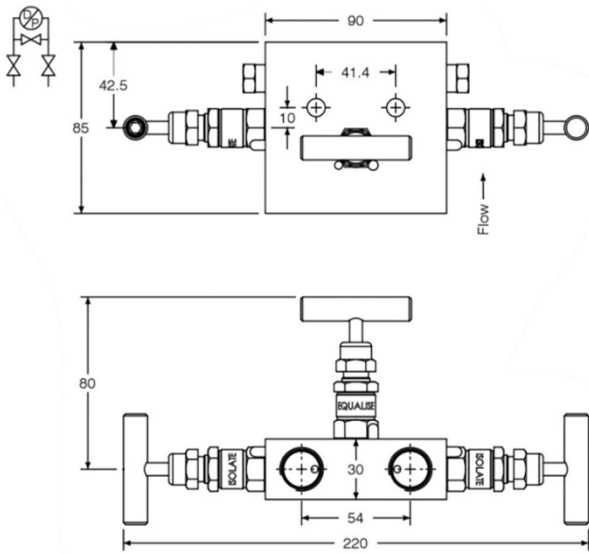
T3VM RV1



WEIGHT(KG)
1.56

Manifold Valves

T3VM RV 2



WEIGHT(KG)
2.0



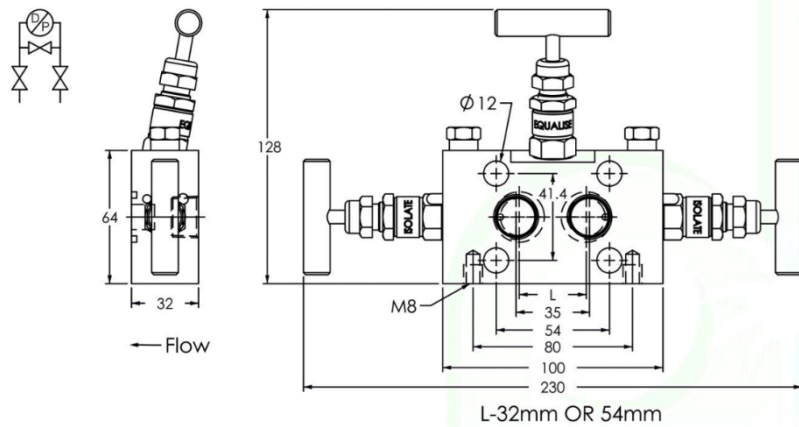
Manifold Valves

3 valve manifold – Direct Mounting These manifold can be directly mounted on the transmitter having 54 mm or 32 mm center to center connections. The inlet is either 1/4" NPT F or flanged. Two isolation valves & one equalizer valve is provided along with 1/4" NPT F drain as an option. These valves are mainly used with Dp transmitters. Different options are available as shown.

Standard Specifications:

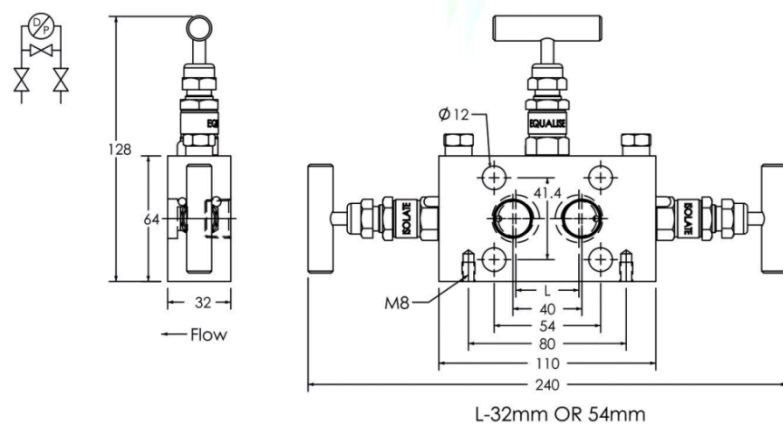
Maximum working Pressure: 413 bar at 38°C (6000 psi at 100°F) (see Pressure & Temperature Chart on page No. 07 for higher temperature applications). MOC in accordance with NACE MR0175 is available on request. **Valves for 10000 PSI working pressure are also available**

T3VM D1



WEIGHT(KG)
2.0

T3VM D2 (Coplaner)

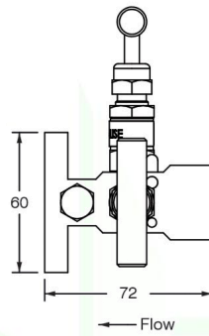
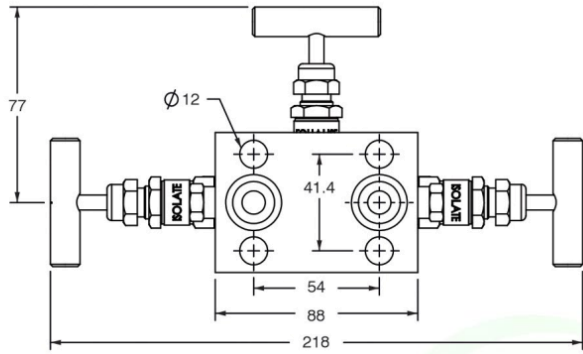
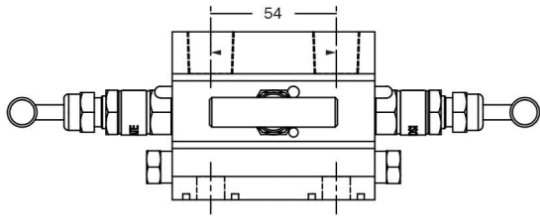
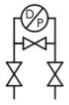


WEIGHT(KG)
2.0

Manifold Valves



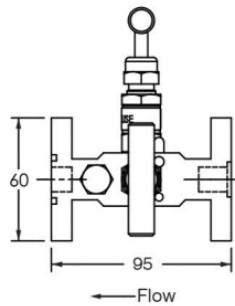
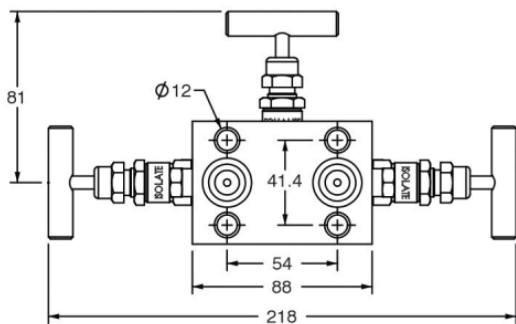
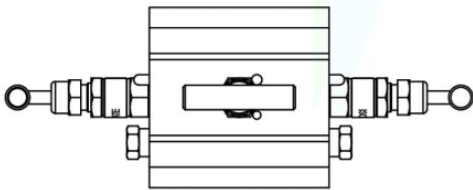
T3VM DT



WEIGHT(KG)

1.9

T3VM DH



WEIGHT(KG)

2.56

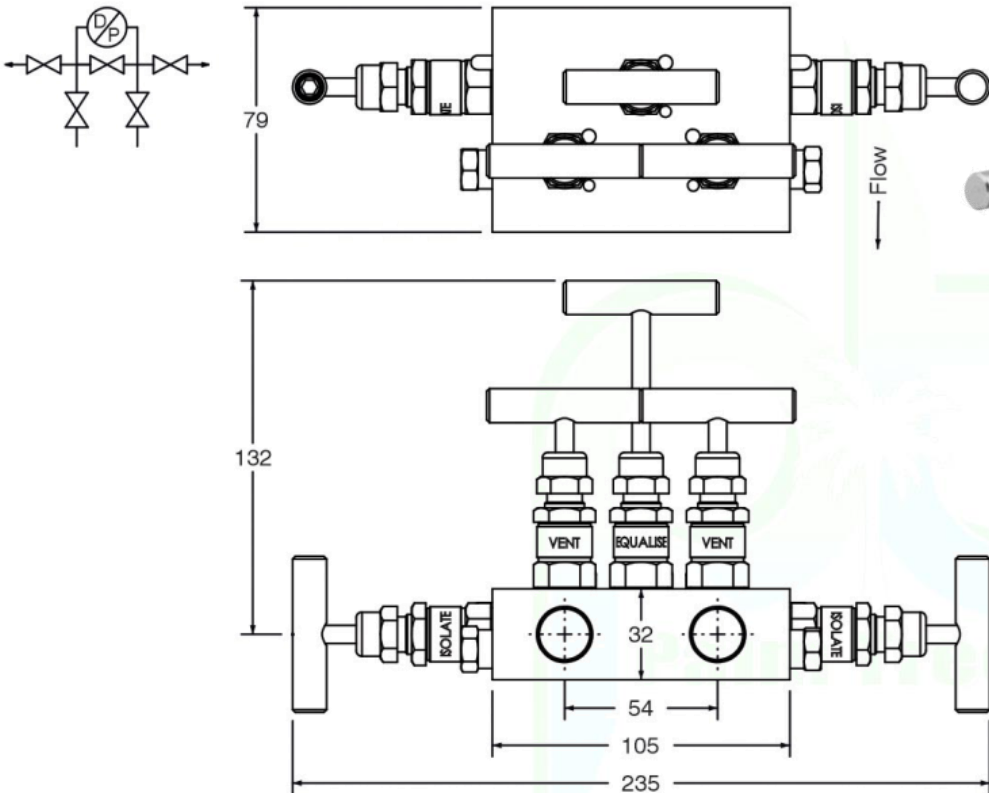
Manifold Valves

5 valve manifold – Remote Mounting These manifolds are designed for remote mounting on instruments using threaded instrument & process connections. These valves are having two isolation, one equalizer & two drain/calibration valves. The standard process & instrument connections are 1/4" NPT F & the drain connections are 1/2" NPT F. The blank plugs are provided. The instruments connections are positioned at 54 mm center distance but can also be used for other center distances with the help of screwed fittings. Different models are available as shown below.

Standard Specifications:

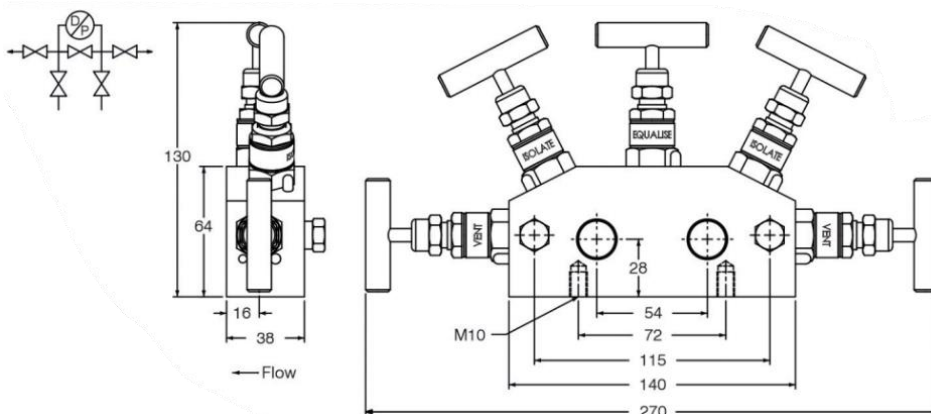
Maximum working Pressure: 413 bar at 38°C (6000 psi at 100°F) (see Pressure & Temperature Chart on page No. 07 for higher temperature applications). MOC in accordance with NACE MR0175 is available on request. **Valves for 10000 PSI working pressure are also available**

T5VM R1



WEIGHT(KG)
2.70

T5VM R2



WEIGHT(KG)
3.30

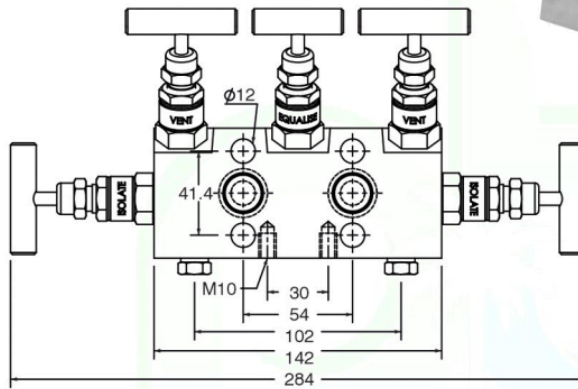
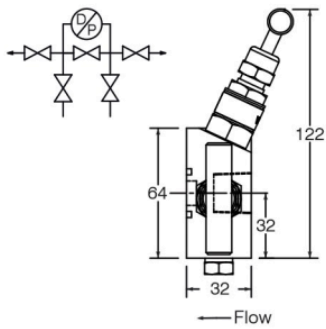
Manifold Valves

5 valve manifold – Direct Mounting These valves are designed for direct mounting to differential pressure transmitter. The instrument side is provided with a standard flange (both option IEC & MSS available) of 54mm or 32 mm center distance. These valves are having two isolation, one equalizer & two vent / calibration valves. The standard process & instruments connections are 1/4" NPT. Two vent connections are 1/2" NPT in all manifolds & provided with blanking plugs. Different models are available as shown.

Standard Specifications:

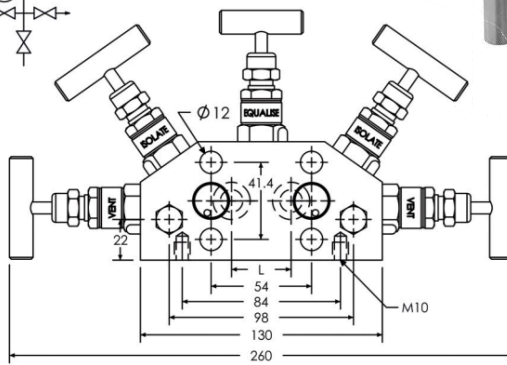
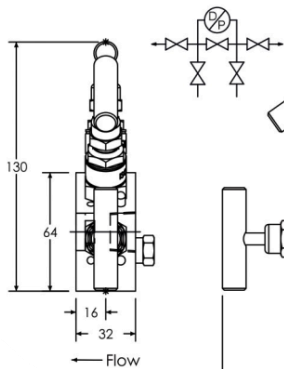
Maximum working Pressure: 413 bar at 38°C (6000 psi at 100°F) (see Pressure & Temperature Chart on page No. 07 for higher temperature applications). MOC in accordance with NACE MR0175 is available on request. **Valves for 10000 PSI working pressure are also available**

T5VM D1



WEIGHT(KG)
3.30

T5VM D2 (Coplaner)



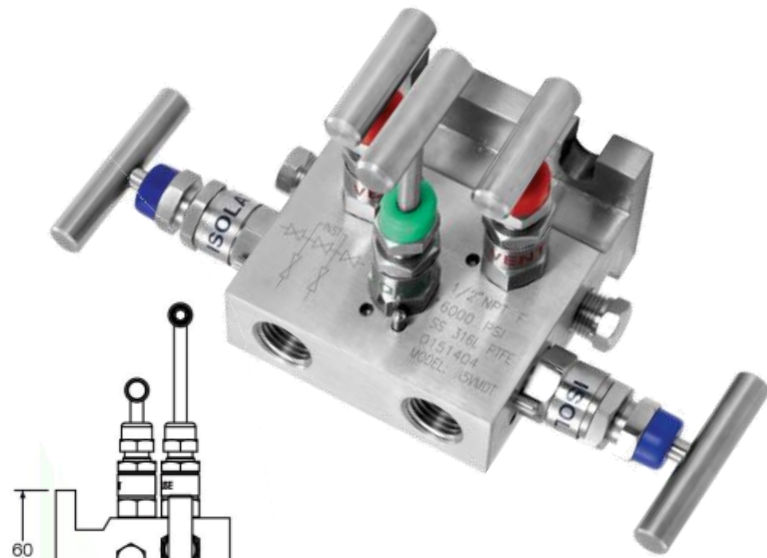
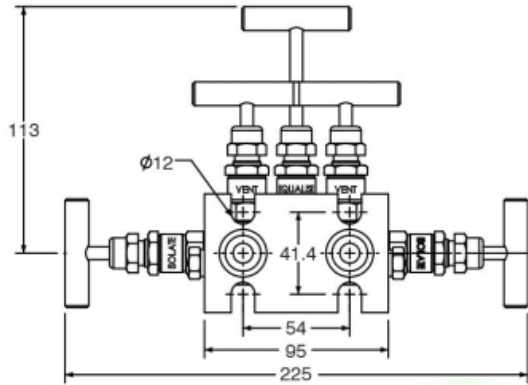
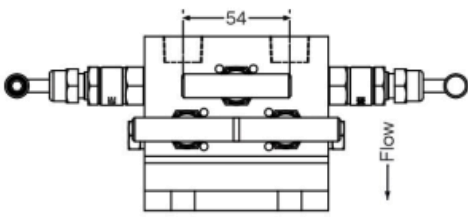
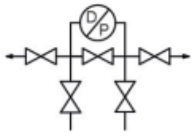
L=32mm OR 54mm



WEIGHT(KG)
2.70

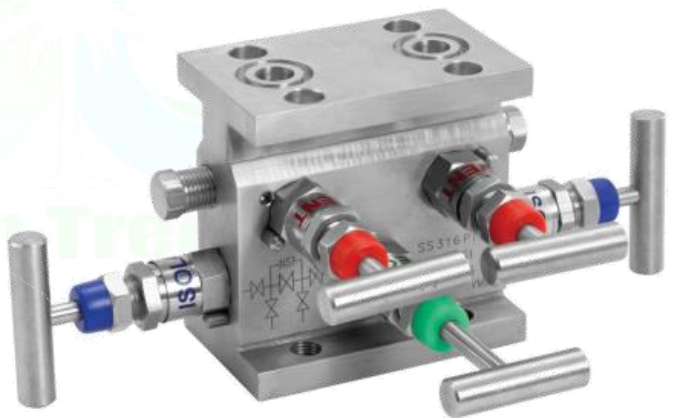
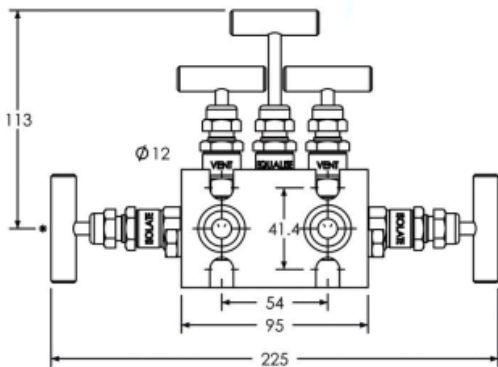
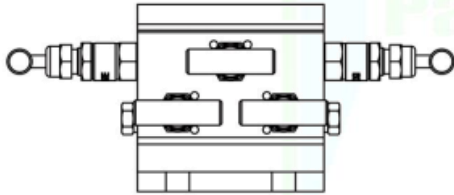
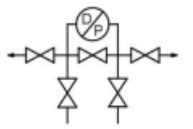
Manifold Valves

T5VM DT



WEIGHT(KG)
2.90

T5VM DH



WEIGHT(KG)
2.70