

**PROCESS MEASUREMENT
&
CONTROL SPECIALISTS**



TamiLok

**Instrumentation Valves,
Fittings and
Accessories**



PALM TREE ENGINEERING PRODUCTS PRIVATE LIMITED

Plot no 110, SIDCO Industrial Estate, Vallioor, Tirunelveli, Tamilnadu, India. 627117

contact@palmtreeind.com

www.palmtreeind.com

2 Valve Manifold Selection Chart



T = Tamielok

2VM = 2 Valve

R = Remote Mounting

D1 = Direct Mounting model1

D2 = Direct Mounting model2

DT = Direct Mounting T type

DH = Direct Mounting H type

FF = Female X Female

MF = Male X Female

MM = Male X Male

CF = Compression Fitting (tube ends)

SW = Socket Weld

BW = Butt Weld

N = NPT

G = BSPP

GT = BSPT

M = Metric

Blank = for CF / SW / BW end

14 = 1/4"

38 = 3/8"

12 = 1/2"

34 = 3/4"

01 = 1"

06M = 6 mm OD tube end

08M = 8 mm OD tube end

10M = 10 mm OD tube end

12M = 12 mm OD tube end

Blank = 6000psi

H = 10,000psi

SS = SS 316

SSL = SS 316L

SSD = SS 316/316L Dual

SS4 = SS 304

MO = Monel 400

HC = Hastelloy C 276

DU = Duplex SS

SD = Super Duplex

IN6 = Inconel-625

IN8 = Inconel-825

CS = Carbon Steel

BR = Brass

T = PTFE Packing

G = Graphite Packing

NA = NACE MR 01-75
(Latest Edition)

OXY = Cleaned for
Oxygen service

Ext = extension lagging
length

TF1 = with test flange
Φ40 X 5 (only for DIN
valve)

TF2 = with test flange 60
X 25 X 10 (only for DIN
valve)

TC = with test
connection M20 X
1.5 (only for DIN valve)

AT = Anti Temper

LH = Lockable handle



TamiLok

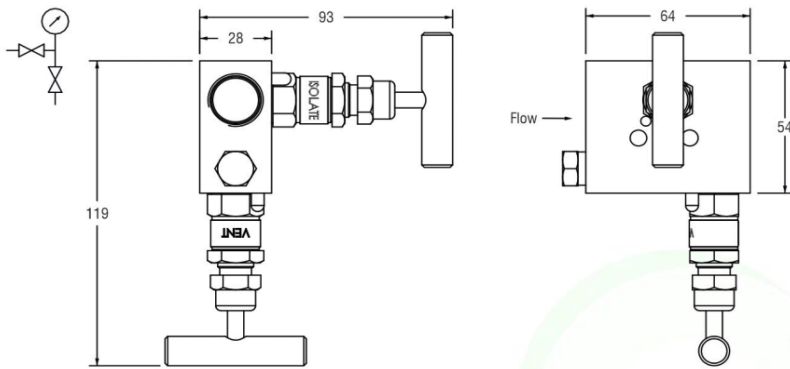
Manifold Valves

2 valve manifold – remote Mounting These manifolds are having one isolation valve 1/4" connection & one drain valve of 1/2" or 3/4" connection. The outlet of drain valve can be used for calibration. Compact unit saves space, reduces number of joints resulting in cost reduction. These manifolds are used with Pressure gauges, switches or transmitters. Different models are available as shown below.

Standard Specifications:

Maximum working Pressure: 413 bar at 38°C (6000 psi at 100°F) (see pressure and Temperature chart for higher temperature applications). MOC accordance with NACE MR0175 is available on request. **Valves for 1000PSI working pressure also available.**

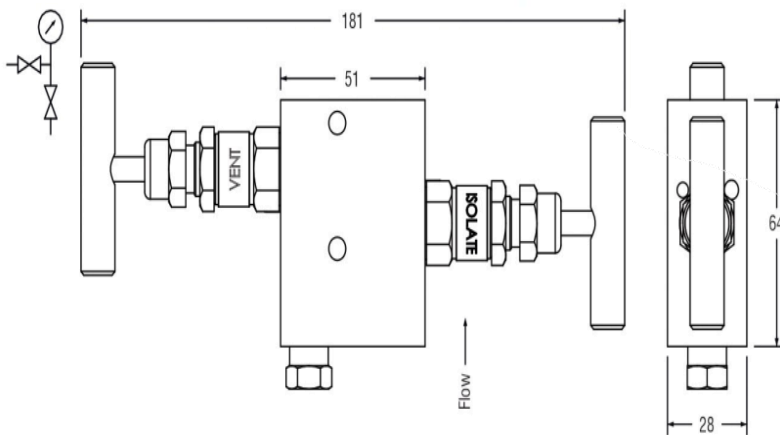
T2VM RF 1



WEIGHT(KG)

1.0

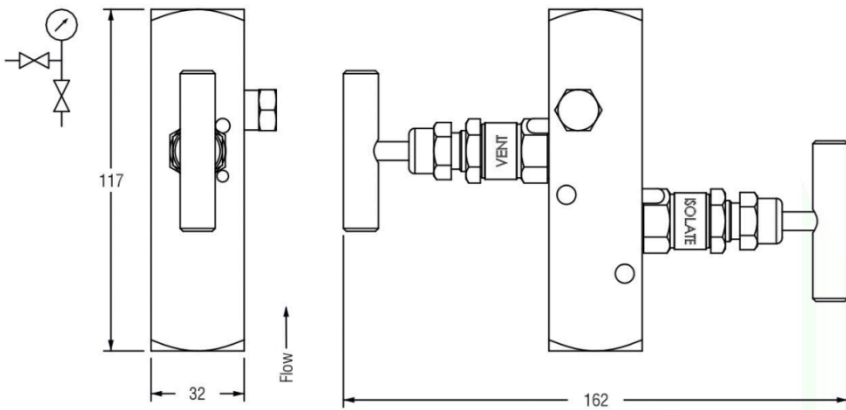
T2VM RF 2



WEIGHT(KG)

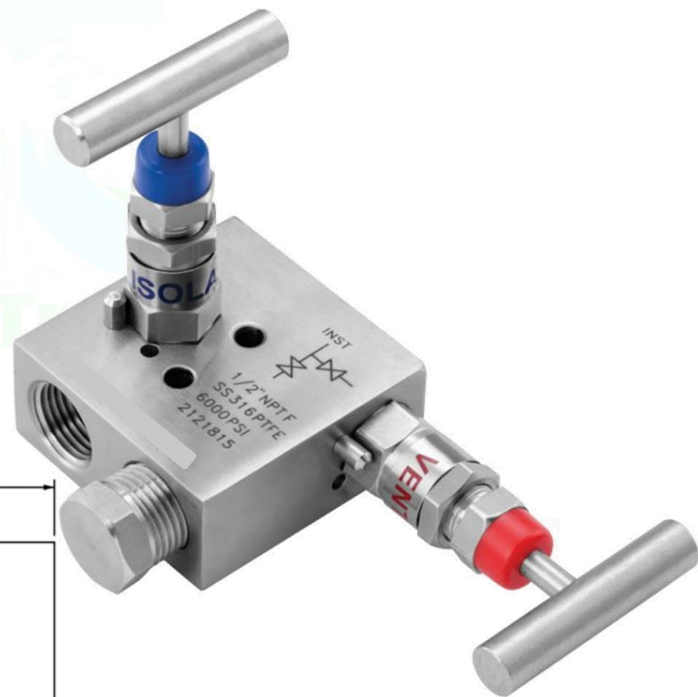
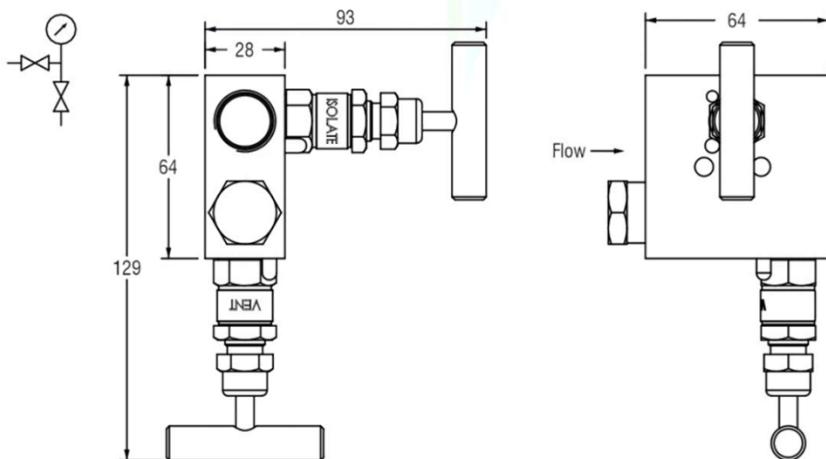
1.0

T2VM RF 3



WEIGHT(KG)
1.1

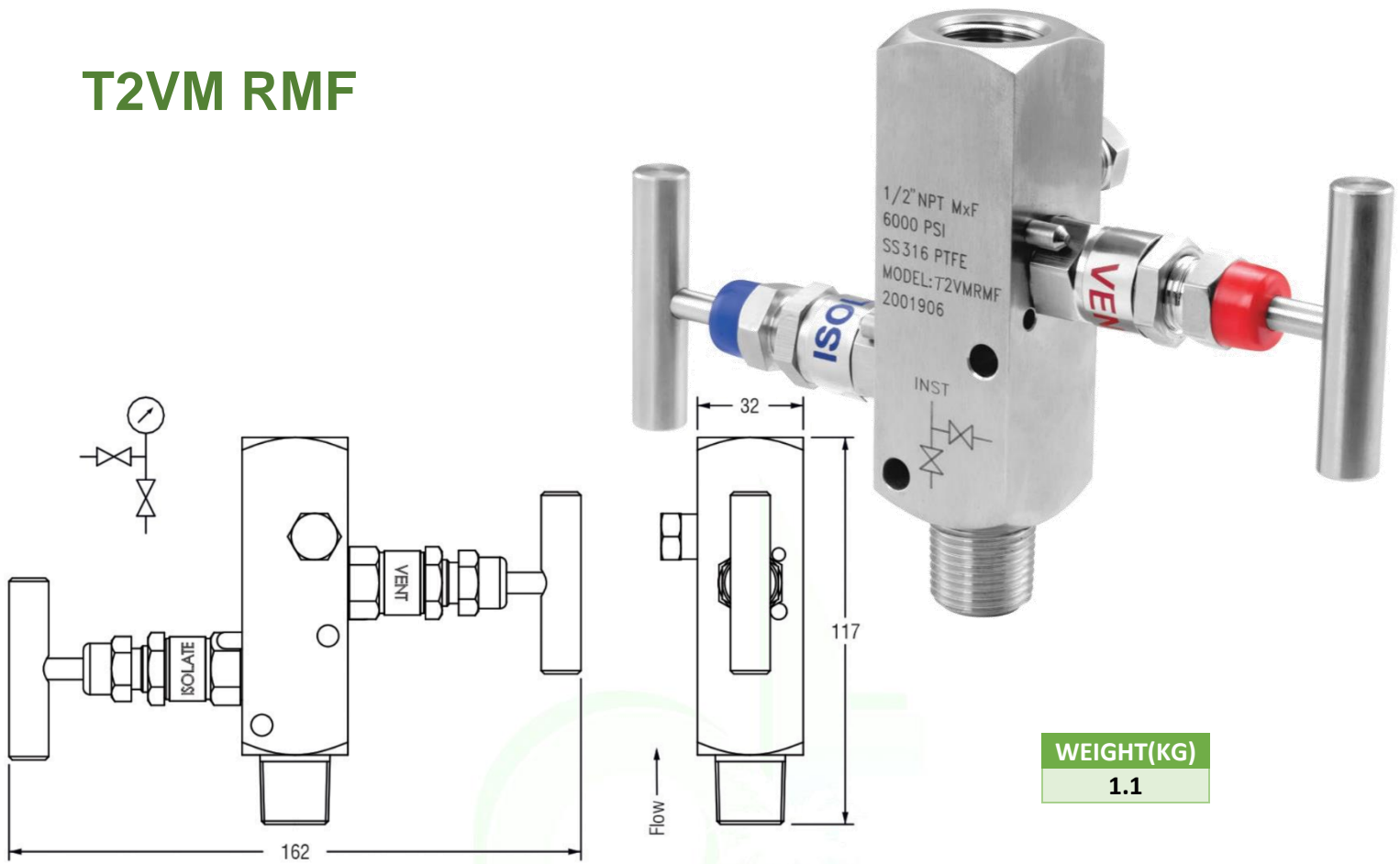
T2VM RF 4



WEIGHT(KG)
1.0

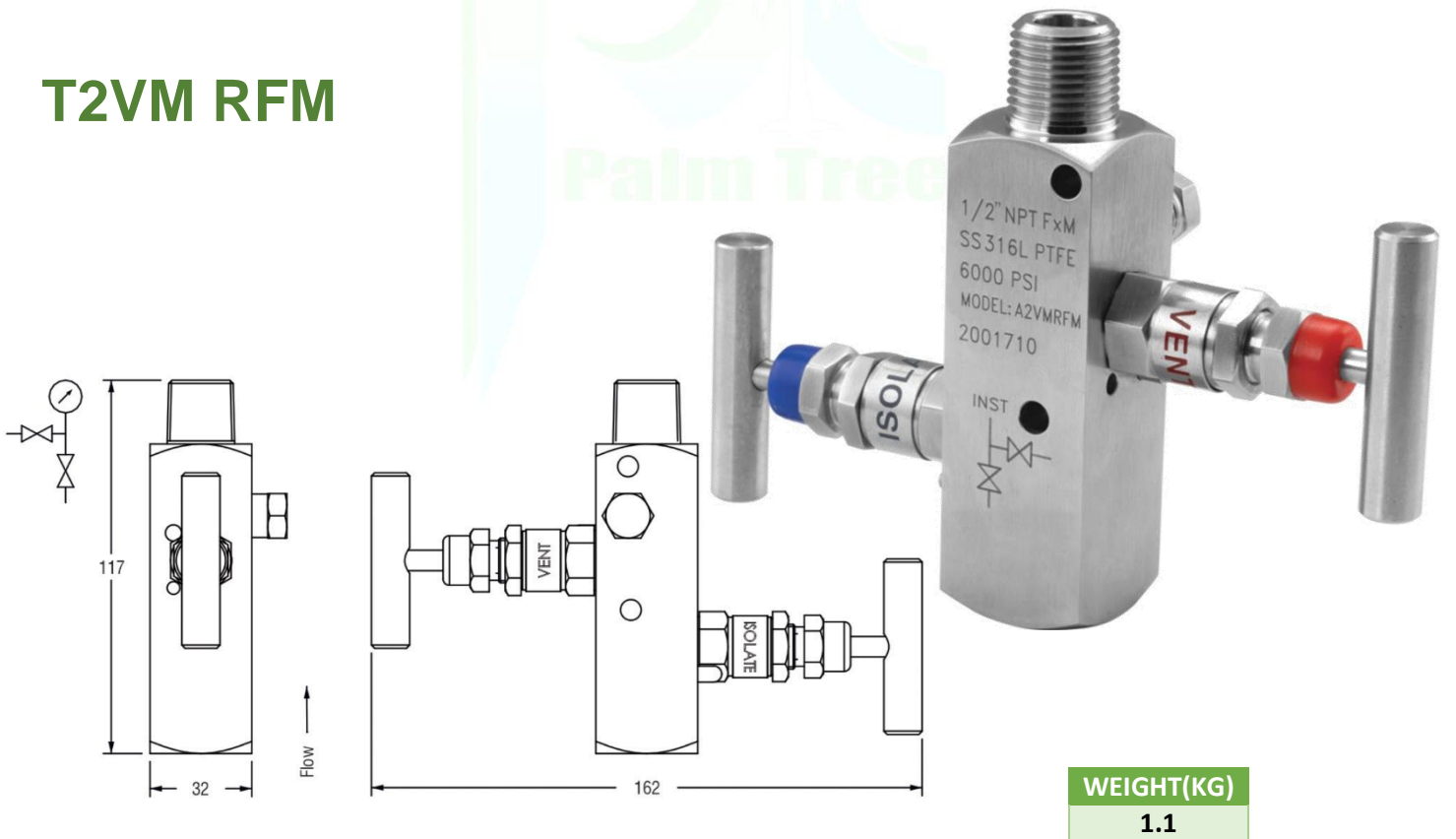
Manifold Valves

T2VM RMF



WEIGHT(KG)
1.1

T2VM RFM



WEIGHT(KG)
1.1

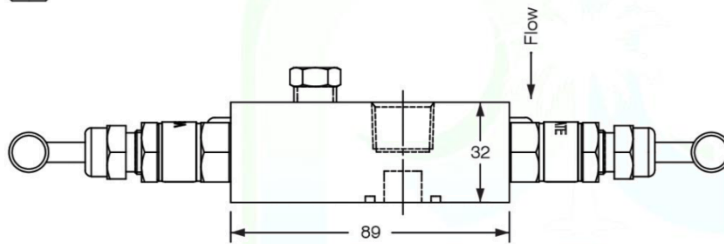
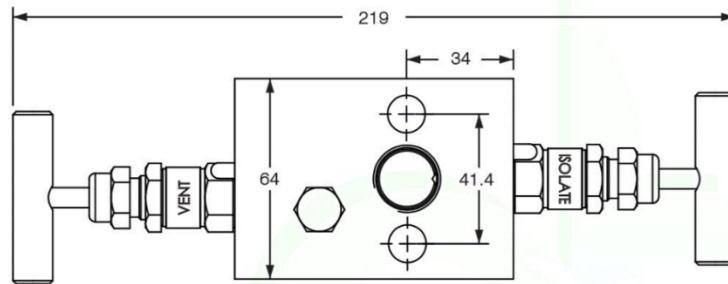
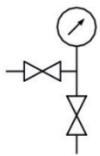
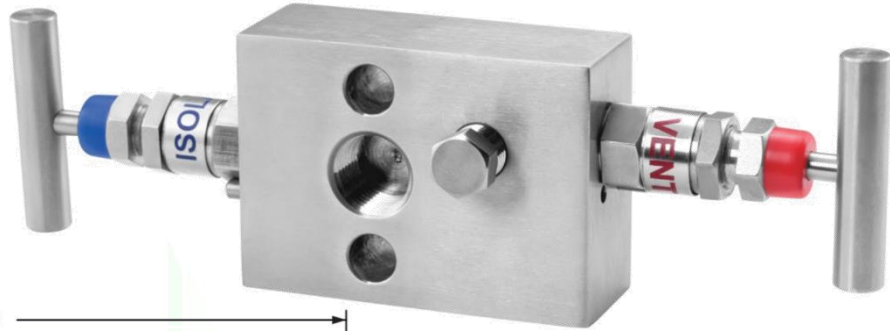
Manifold Valves



TamiLok

2 valve manifold – Direct Mounting

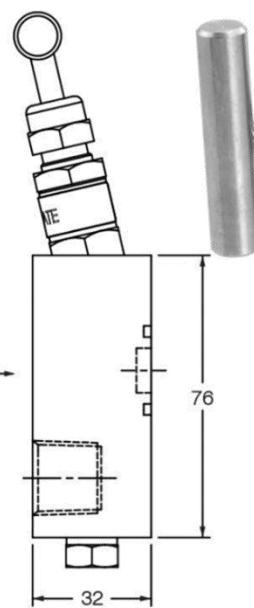
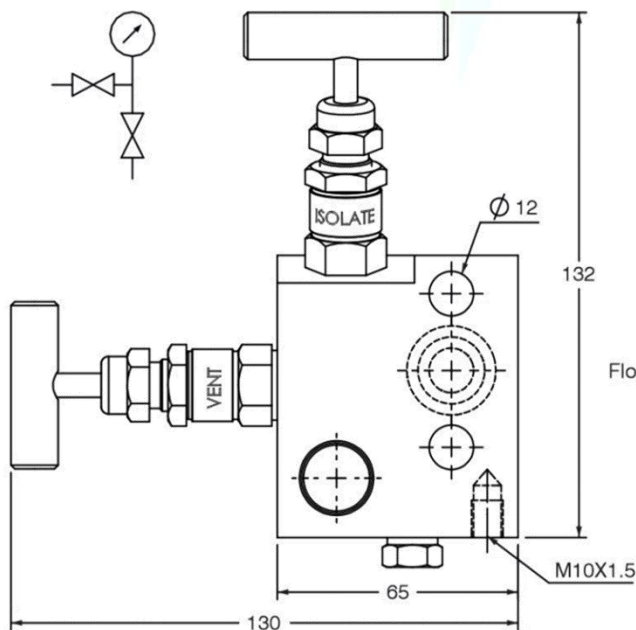
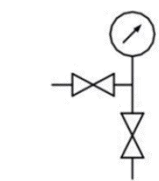
T2VM D1



WEIGHT(KG)

1.6

T2VM D2



WEIGHT(KG)

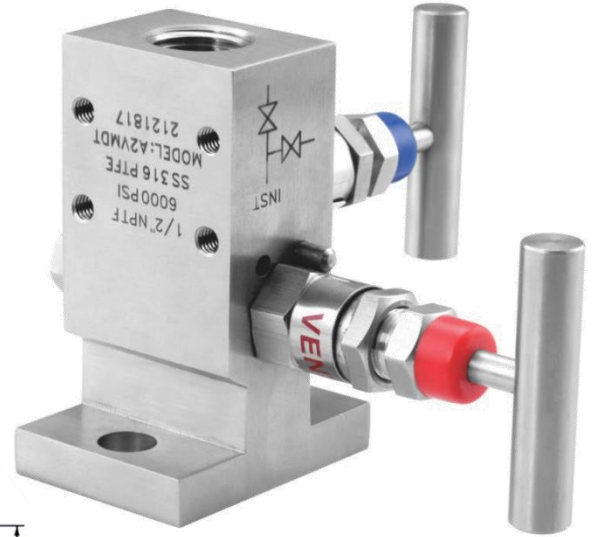
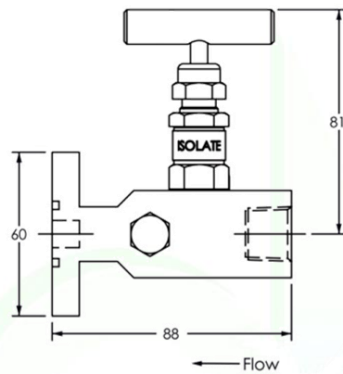
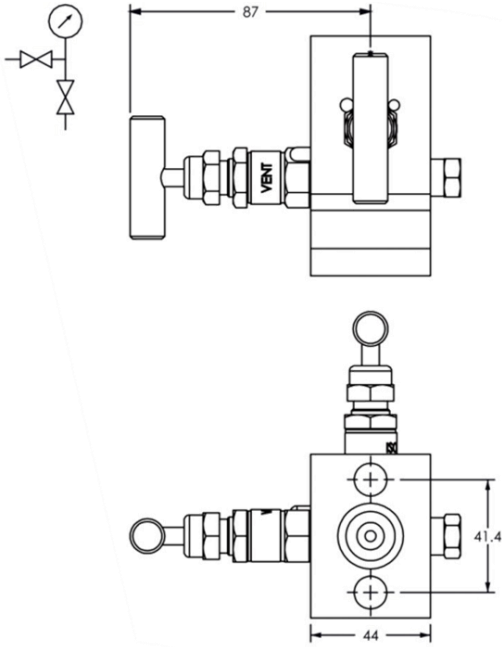
1.3

Manifold Valves



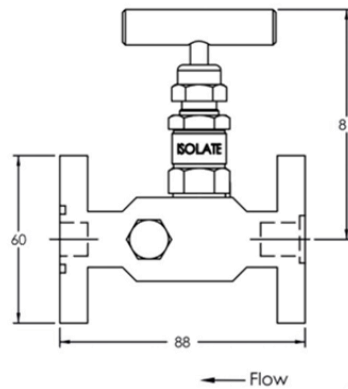
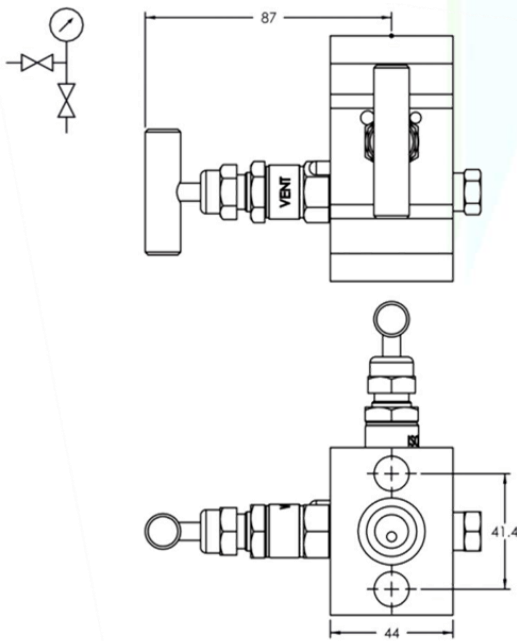
TamiLok

T2VM DT



WEIGHT(KG)
1.4

T2VM DH



WEIGHT(KG)
2.0