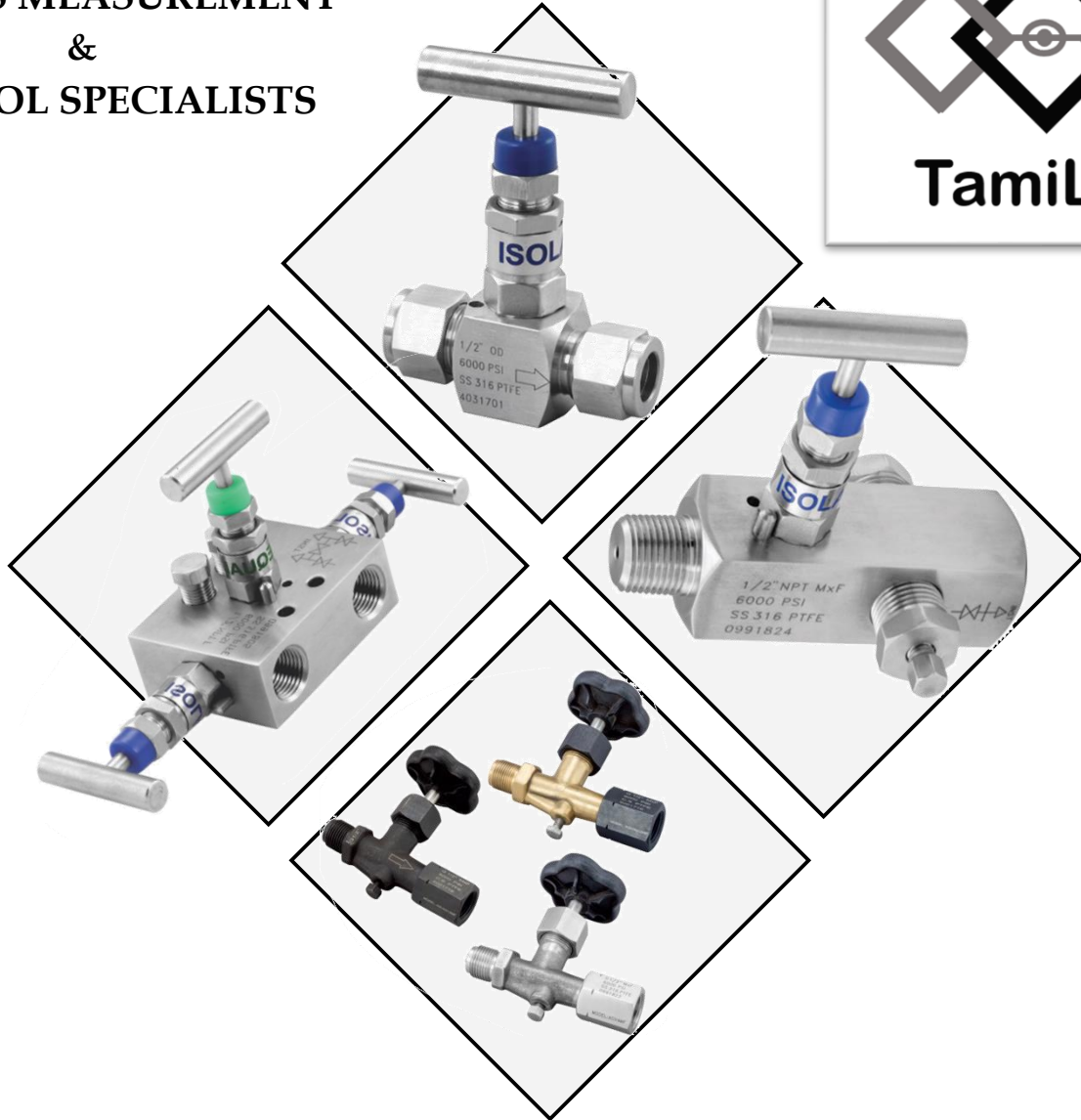


**PROCESS MEASUREMENT
&
CONTROL SPECIALISTS**



TamiLok

**Instrumentation Valves,
Fittings and
Accessories**



PALM TREE ENGINEERING PRODUCTS PRIVATE LIMITED

Plot no 110, SIDCO Industrial Estate, Vallioor, Tirunelveli, Tamilnadu, India. 627117

contact@palmtreeind.com

www.palmtreeind.com

Gauge Valves Selection Chart

T **NV** **1** **FF** **N** **12** **H** **SS** **T** **OPTION**

T = Tamielok

GV = Gauge Valve

1 = Bleed Valve

2 = Vent Valve

3 = Multi Port

4 = Forged Body (DIN Standard)

FF = Female X Female

MF = Male X Female

MM = Male X Male

CF = Compression Fitting (tube ends)

SW = Socket Weld

BW = Butt Weld

N = NPT

G = BSPP

GT = BSPT

M = Metric

Blank = for CF / SW / BW end

14 = 1/4"

38 = 3/8"

12 = 1/2"

34 = 3/4"

01 = 1"

06M = 6 mm OD tube end

08M = 8 mm OD tube end

10M = 10 mm OD tube end

12M = 12 mm OD tube end

Blank = 6000psi

H = 10,000psi

SS = SS 316

SSL = SS 316L

SSD = SS 316/316L Dual

SS4 = SS 304

MO = Monel 400

HC = Hastelloy C 276

DU = Duplex SS

SD = Super Duplex

IN6 = Inconel-625

IN8 = Inconel-825

CS = Carbon Steel

BR = Brass

T = PTFE Packing

G = Graphite Packing

NA = NACE MR 01-75
(Latest Edition)

OXY = Cleaned for
Oxygen service

Ext = extension lagging
length

TF1 = with test flange
Φ40 X 5 (only for DIN
valve)

TF2 = with test flange 60
X 25 X 10 (only for DIN
valve)

TC = with test
connection M20 X
1.5 (only for DIN valve)

AT = Anti Temper

LH = Lockable handle



Gauge Valves

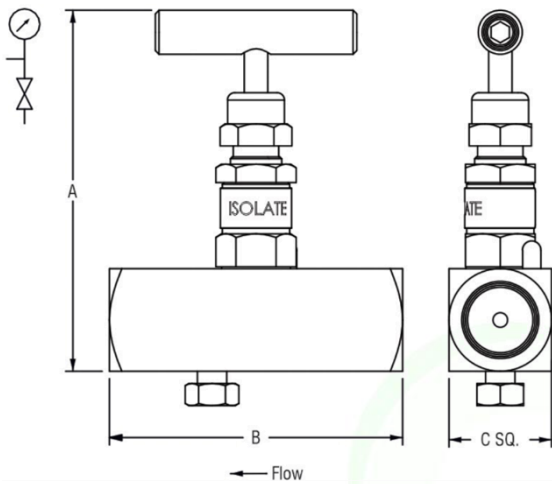


TGV 1 These valves are designed for safe installations of Pressure gauges and Transmitter. The Suitable model can be selected for isolation, calibration, and drain purpose.

Standard Specifications:

Maximum working Pressure: 413 bar at 38°C (6000 psi at 100°F) (see pressure and Temperature chart for higher temperature applications). MOC accordance with NACE MR0175 is available on request. **Valves for 1000PSI working pressure also available.**

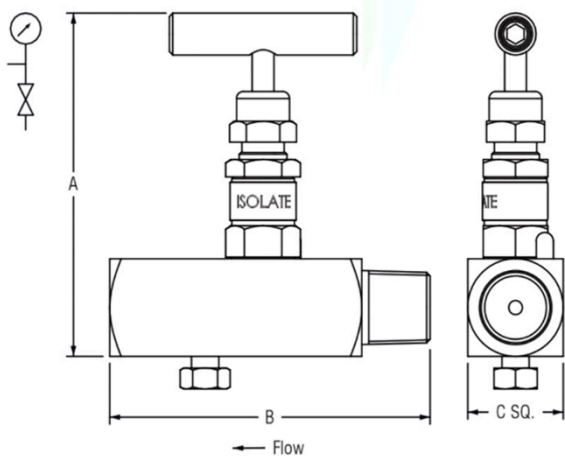
TGV 1 FF



SIZE	A	B	CSQ	WEIGHT(KG)
1/4"	93	70	25	0.5
3/8"	93	70	25	0.5
1/2"	93	80	28	0.53



TGV 1 MF



SIZE	A	B	CSQ	WEIGHT(KG)
1/4"	93	75	25	0.43
3/8"	93	75	25	0.43
1/2"	93	94	28	0.60



Gauge Valves

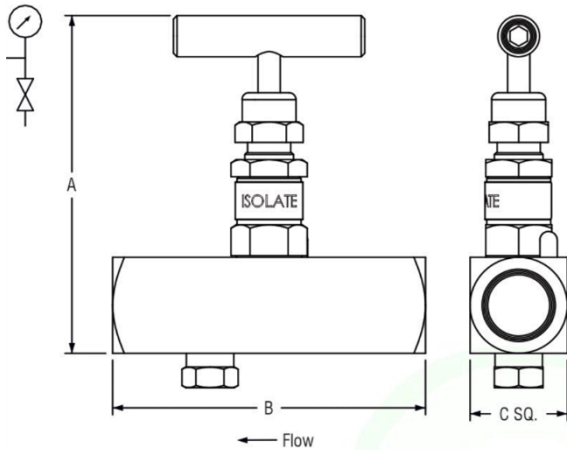


TGV 2

Standard Specifications:

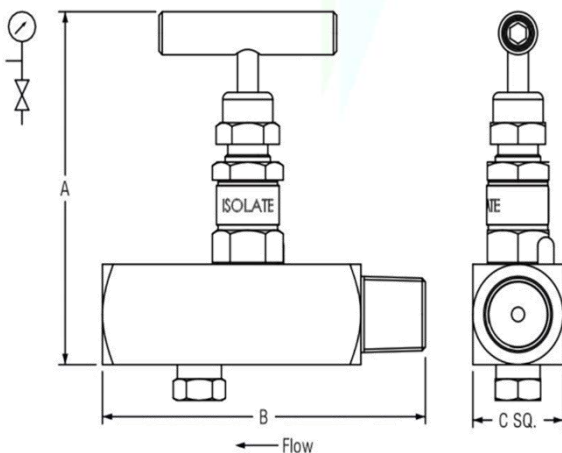
Maximum working Pressure: 413 bar at 38°C (6000 psi at 100°F) (see pressure and Temperature chart for higher temperature applications). MOC accordance with NACE MR0175 is available on request. **Valves for 1000PSI working pressure also available.**

TGV 2 FF



SIZE	A	B	CSQ	WEIGHT(KG)
1/4"	93	80	25	0.45
3/8"	93	80	25	0.45
1/2"	95	90	28	0.55

TGV 2 MF



SIZE	A	B	CSQ	WEIGHT(KG)
1/4"	93	80	25	0.5
3/8"	93	80	25	0.5
1/2"	95	100	28	0.6

Gauge Valves

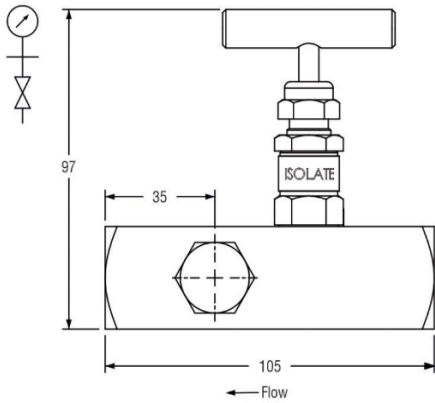


TGV 3 Multiport or gauge root valves facilitate different positioning of pressure gauge or pressure switch without disturbing the main line. The blind plug & bleed valve are supplied with the valve.

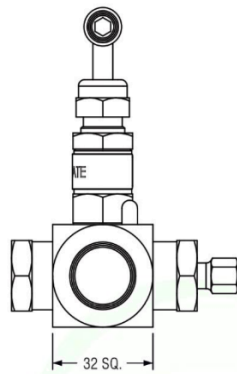
Standard Specifications:

Maximum working Pressure: 413 bar at 38°C (6000 psi at 100°F) (see pressure and Temperature chart for higher temperature applications). MOC accordance with NACE MR0175 is available on request. **Valves for 1000PSI working pressure also available.**

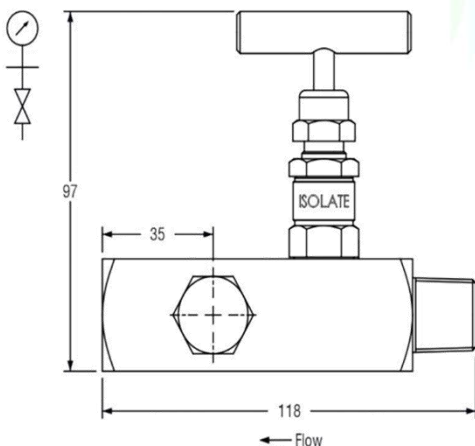
TGV 3 FF



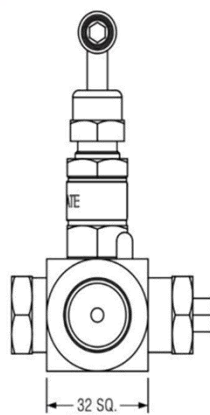
WEIGHT(Kg)
0.95



TGV 3 MF



WEIGHT(Kg)
1.0



Gauge Valves

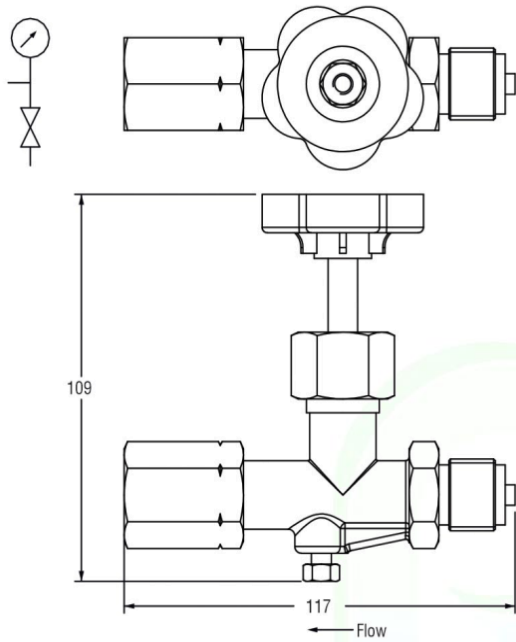


TGV 4 These valves are specially designed in accordance with DIN 16270/16271. The body is forged in union bonnet pattern. The G ¼ connection provides swivel female outlet for suitable positioning of pressure gauge. Bleedscrew is provided for vent.

Standard Specifications:

Maximum working Pressure:413 bar at 380C (6000 psi at1000F) (see pressure and Temperature chart for higher temperature applications).

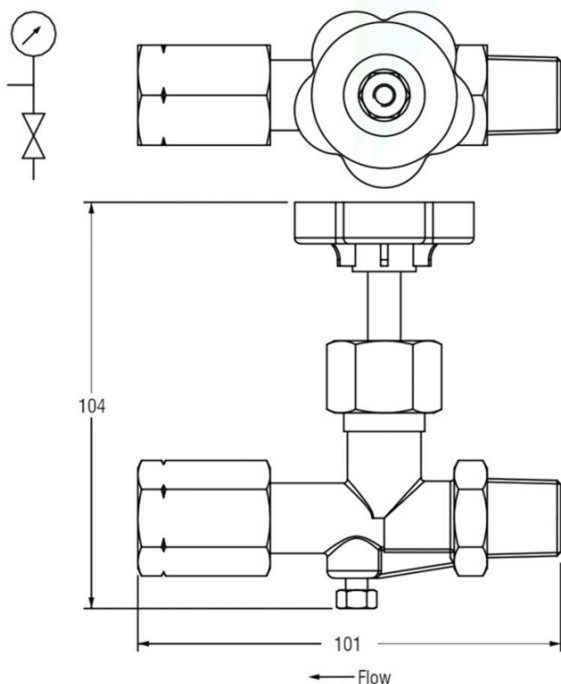
TGV 4 G12



WEIGHT(Kg)
0.5



TGV 4 N12



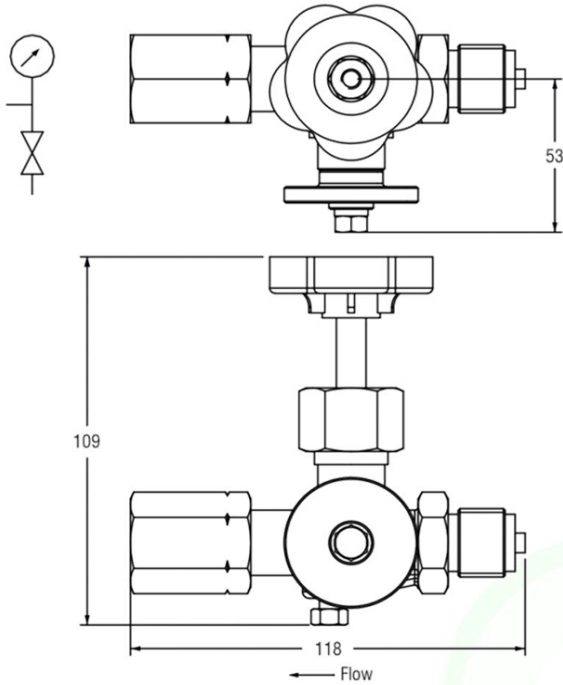
WEIGHT(Kg)
0.5



Gauge Valves

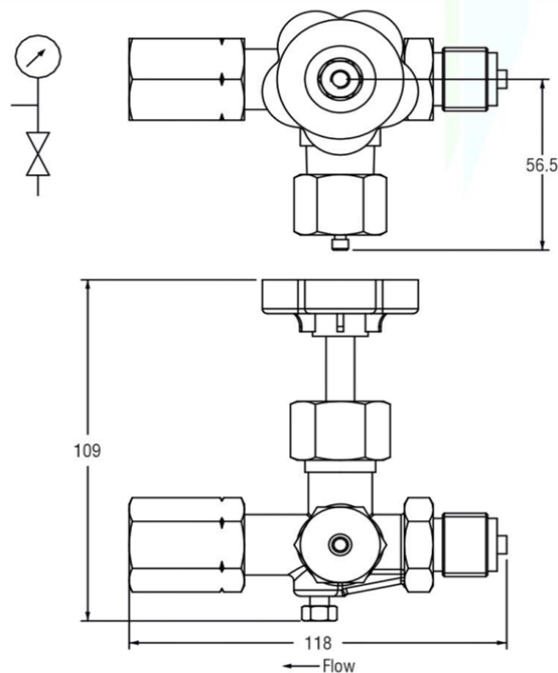


TGV 4 G12 - TF



WEIGHT(Kg)
0.5

TGV 4 G12 - TP



WEIGHT(Kg)
0.5