

**PROCESS MEASUREMENT  
&  
CONTROL SPECIALISTS**



# TamiLok

**Instrumentation Valves,  
Fittings and  
Accessories**



**PALM TREE ENGINEERING PRODUCTS PRIVATE LIMITED**

Plot no 110, SIDCO Industrial Estate, Vallioor, Tirunelveli, Tamilnadu, India. 627117

[contact@palmtreeind.com](mailto:contact@palmtreeind.com)

[www.palmtreeind.com](http://www.palmtreeind.com)

# Ball Valves Selection Chart

**T**

**BV**

**1**

**FF**

**N**

**12**

**SS**

**T**

**OPTION**

T = Tamilok

BV = Ball Valve

1 = 2000 psi, (PTFE Seat)

2 = 6000 psi, (PEEK Seat)

FF = Female X Female

MF = Male X Female

MM = Male X Male

CF = Compression Fitting (tube ends)

SW = Socket Weld

BW = Butt Weld

N = NPT

G = BSPP

GT = BSPT

M = Metric

Blank = for CF / SW / BW end

18 = 1/8"

14 = 1/4"

38 = 3/8"

12 = 1/2"

34 = 3/4"

01 = 1"

06M = 6 mm OD tube end

08M = 8 mm OD tube end

10M = 10 mm OD tube end

12M = 12 mm OD tube end

SS = SS 316

SSL = SS 316L

SSD = SS 316/316L Dual

SS4 = SS 304

MO = Monel 400

HC = Hastelloy C 276

DU = Duplex SS

SD = Super Duplex

IN6 = Inconel-625

IN8 = Inconel-825

CS = Carbon Steel

T = PTFE Packing

G = Graphite Packing

NA = NACE MR 01-75  
(Latest Edition)

OXY = Cleaned for  
Oxygen service

OV = Oval Handle

PM = Panel Mounting

LP = L Port

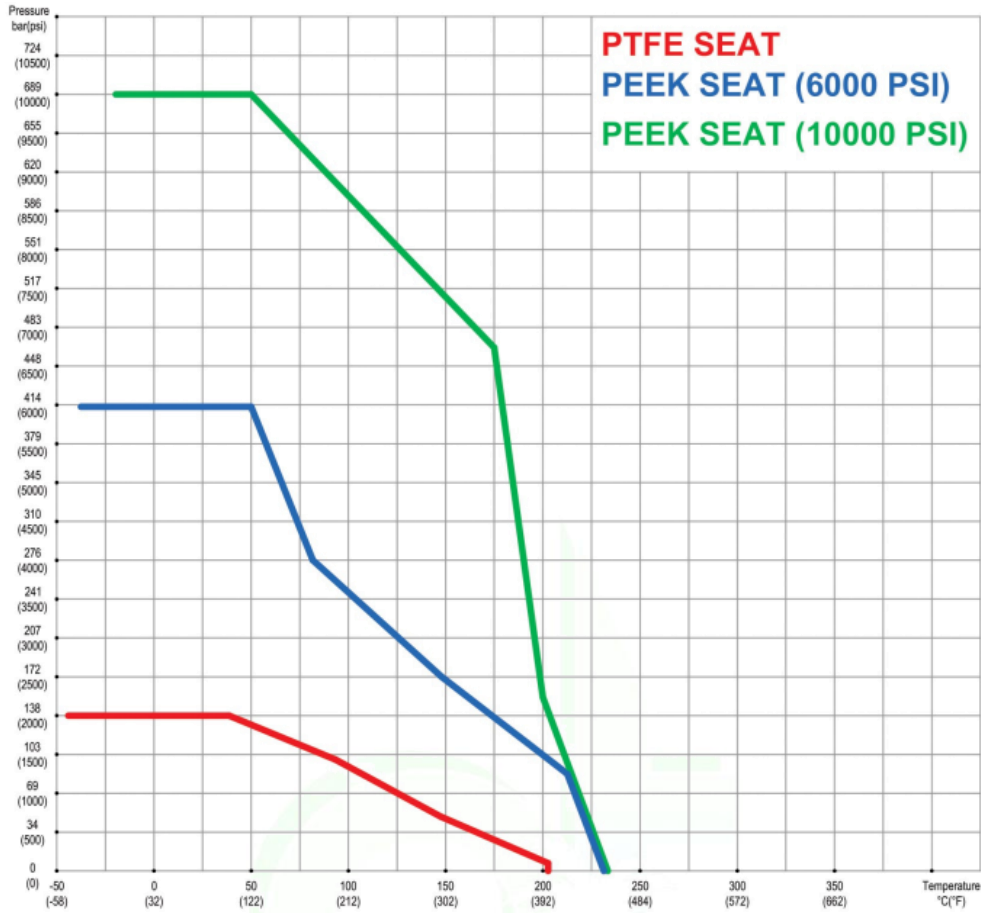
TP = T port

FS = Fire Safe tested

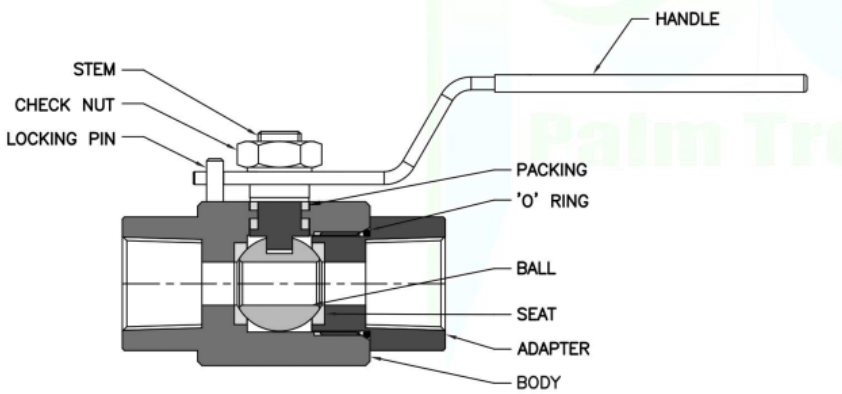
LH = Lockable handle



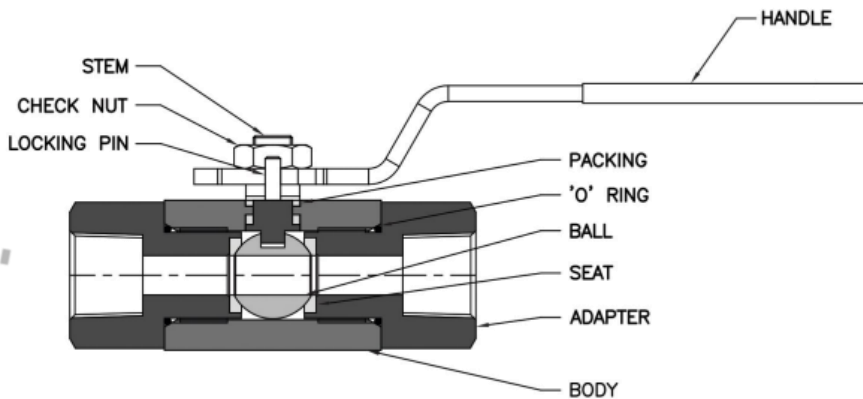
# Ball Valves



P-T CHART FOR BALL VALVE SEAT



**TBV 1**  
LOW PRESSURE  
BALL VALVE



**TBV 2**  
HIGH PRESSURE  
BALL VALVE

# Ball Valves

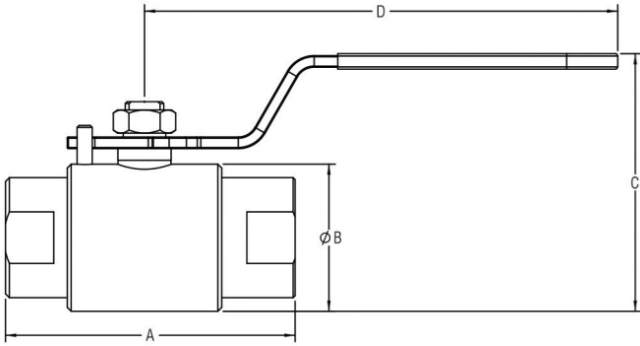


**Low Pressure Ball Valve** These valves are safe, reliable & economical option for low pressure application.

**Standard Specifications:**

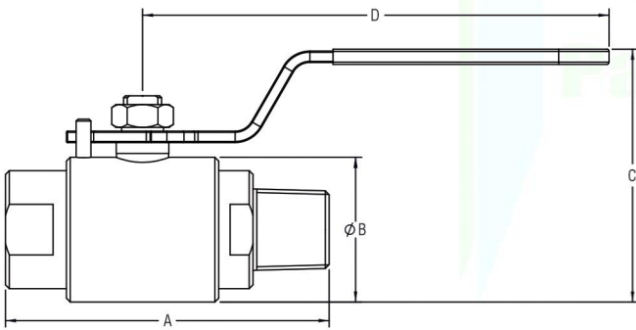
Maximum working Pressure:138 bar at 38°C (2000 psi at100°F) (see pressure and Temperature chart for higher temperature applications).

## TBV 1 FF



SIZE	A	ΦB	C	D	WEIGHT(KG)
1/4"	60	32	60	112	0.30
3/8"	64	32	60	112	0.40
1/2"	75	38	68	112	0.50
3/4"	86	50	80	136	0.75
1"	94	50	80	136	0.90

## TBV 1 MF

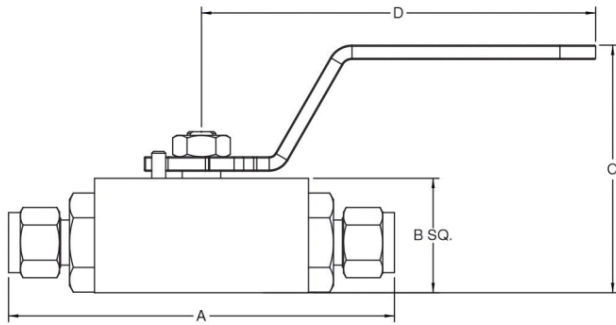


SIZE	A	ΦB	C	D	WEIGHT(KG)
1/4"	70	32	60	112	0.30
3/8"	75	32	60	112	0.40
1/2"	86	38	68	122	0.50
3/4"	97	50	80	136	0.75
1"	105	50	80	136	0.90

# Ball Valves



## TBV 1 CF



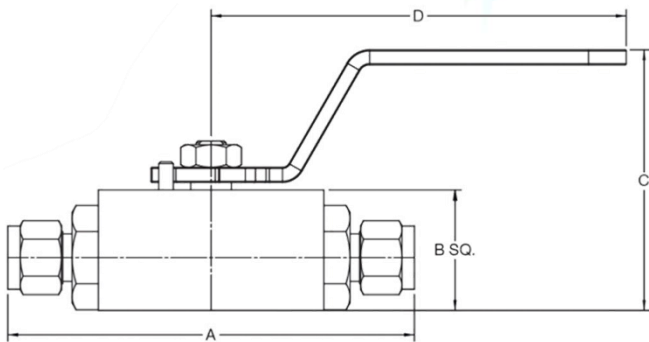
SIZE	A	ΦB	C	D	WEIGHT(KG)
1/4"	80	32	60	112	0.30
3/8"	87	32	60	112	0.40
1/2"	102	38	68	122	0.50
3/4"	110	50	80	136	0.75
1"	117	50	80	136	0.90

**High Pressure Ball Valve** This range offers reliable option for the high pressure application. These valves are recommended for the use in Oil, Gas, Petrochemicals where the long life is required.

### Standard Specifications:

Maximum working pressure: 413 bar at 38°C (6000 psi at 100°F), 690 bar at 38°C (10000 psi at 100°F) (See pressure temperature chart for high temperature applications)

## TBV 2 CF

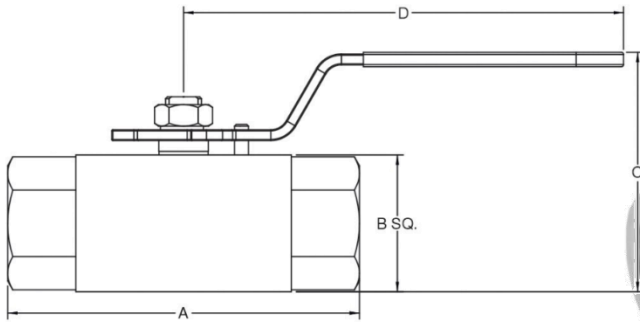


SIZE	A	ΦB	C	D	WEIGHT(KG)
1/4"	97	32	61	85	0.6
3/8"	100	32	61	85	0.7
1/2"	132	38	67	120	1.5
3/4"	155	50	85	135	2.4
1"	160	50	85	135	3.0

# Ball Valves

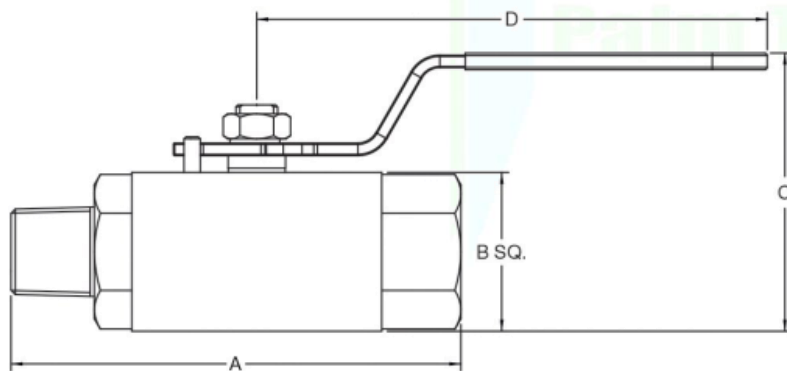


## TBV 2 FF



SIZE	A	ΦB	C	D	WEIGHT(KG)
1/4"	60	32	61	85	0.4
3/8"	60	32	61	85	0.4
1/2"	103	38	67	120	1.2
3/4"	123	50	85	135	2.0
1"	123	50	85	135	2.4

## TBV 2 MF



SIZE	A	ΦB	C	D	WEIGHT(KG)
1/4"	75	32	61	85	0.5
3/8"	75	32	61	85	0.6
1/2"	114	38	67	120	1.3
3/4"	141	50	85	135	2.2
1"	144	50	85	135	2.6

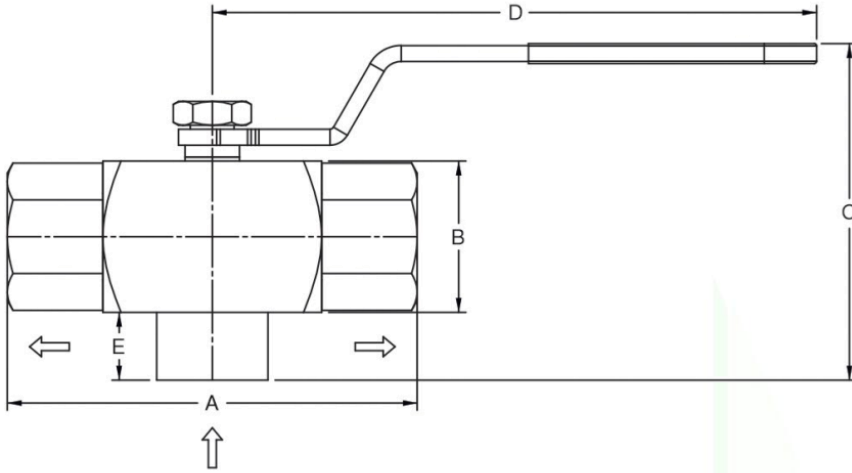
# Ball Valves



## 3 Way Ball Valve

### Standard Specifications:

Maximum working Pressure:138 bar at 380C (2000 psi at1000F), 413 bar at 38°C (6000 psi at 100°F). (See pressure temperature chart for high temperature applications)



SIZE	A	ΦB	C	D	E	WEIGHT(KG)
1/4"	60	32	75	85	14	0.45
3/8"	60	32	75	85	14	0.45
1/2"	103	38	84	120	17	1.25
3/4"	123	50	105	135	20	2.05
1"	123	50	105	135	20	2.45



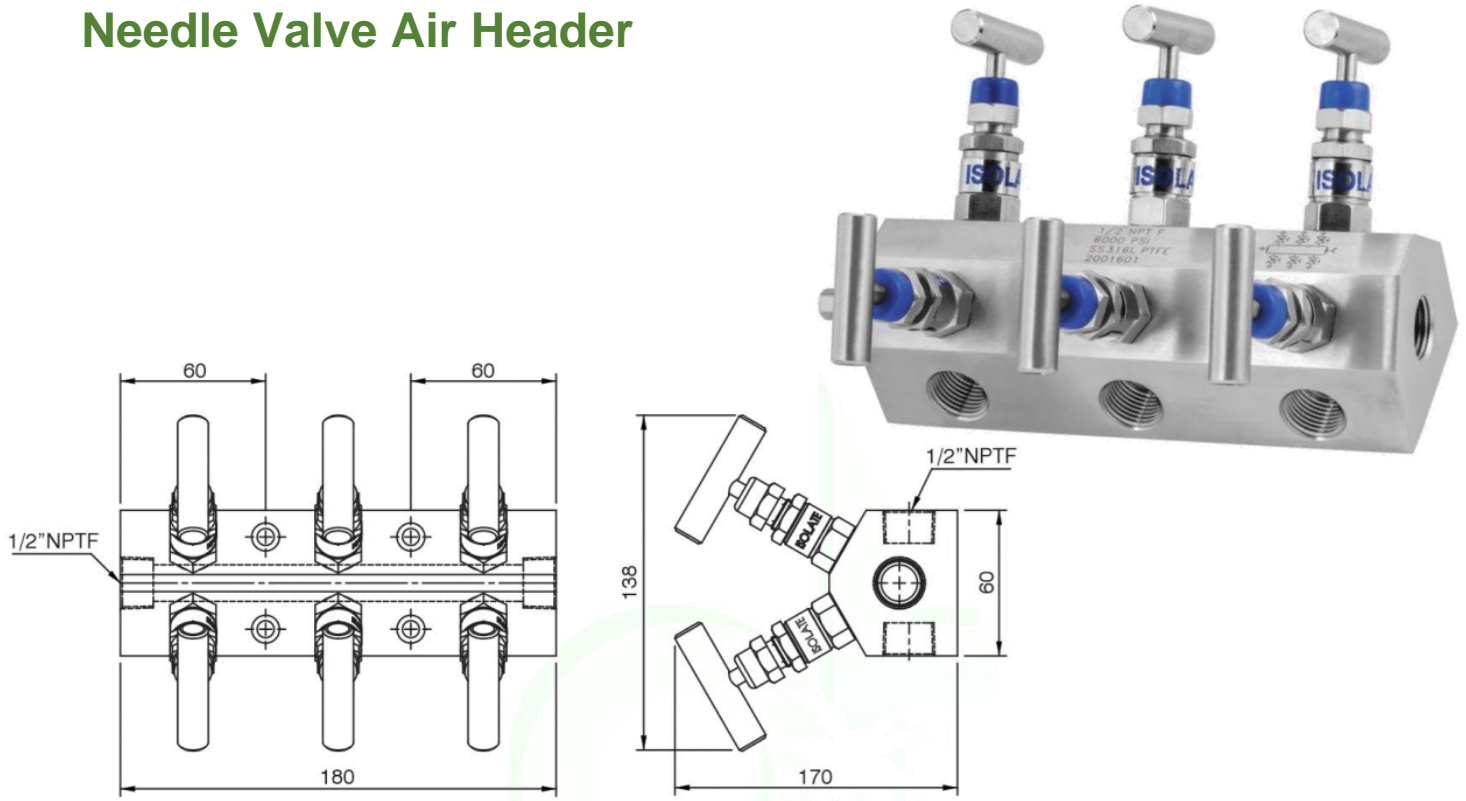
# Ball Valves



## Distribution Header

Maximum working Pressure:2000/6000/10000 psi (see pressure and Temperature chart for higher temperature applications). MOC accordance with NACE MR0175 is available on request, also available in 4,6,8,10 valves.

## Needle Valve Air Header



## Ball Valve Air Header

